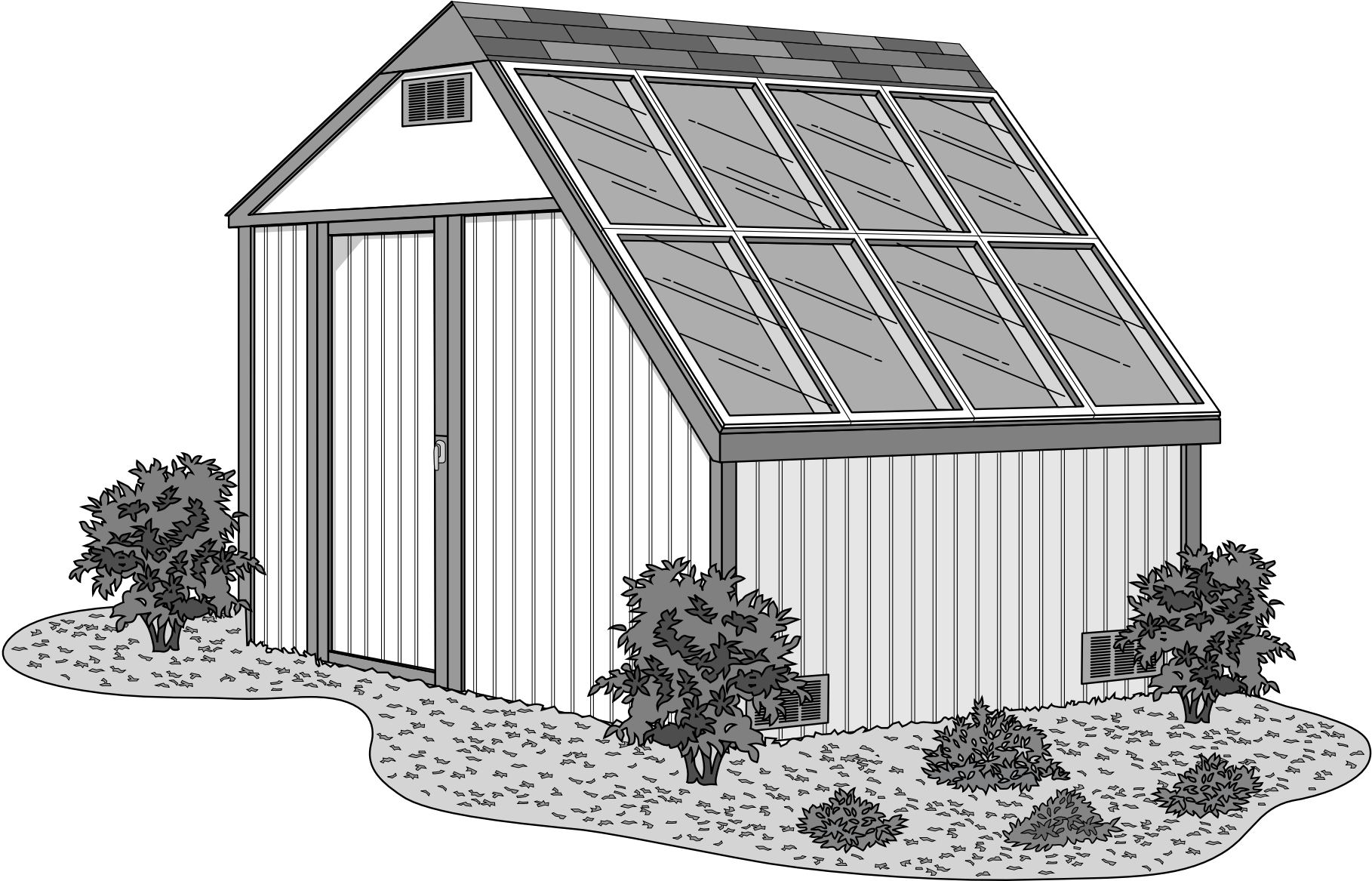
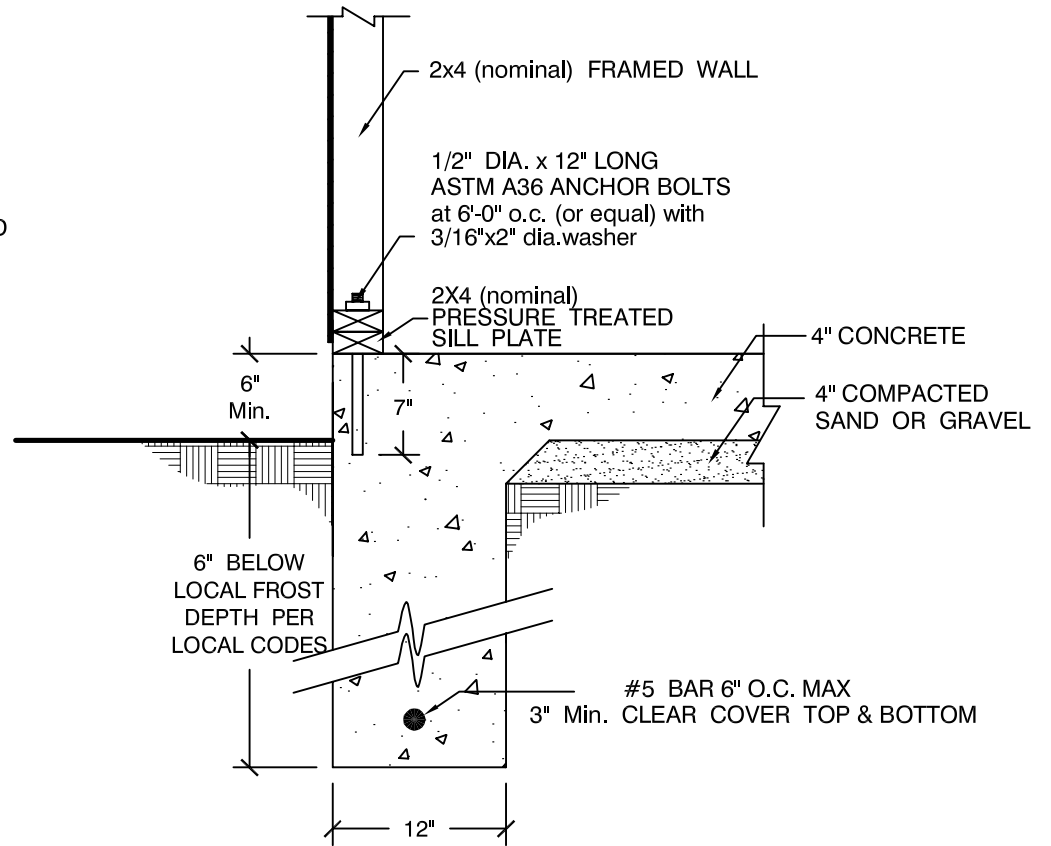
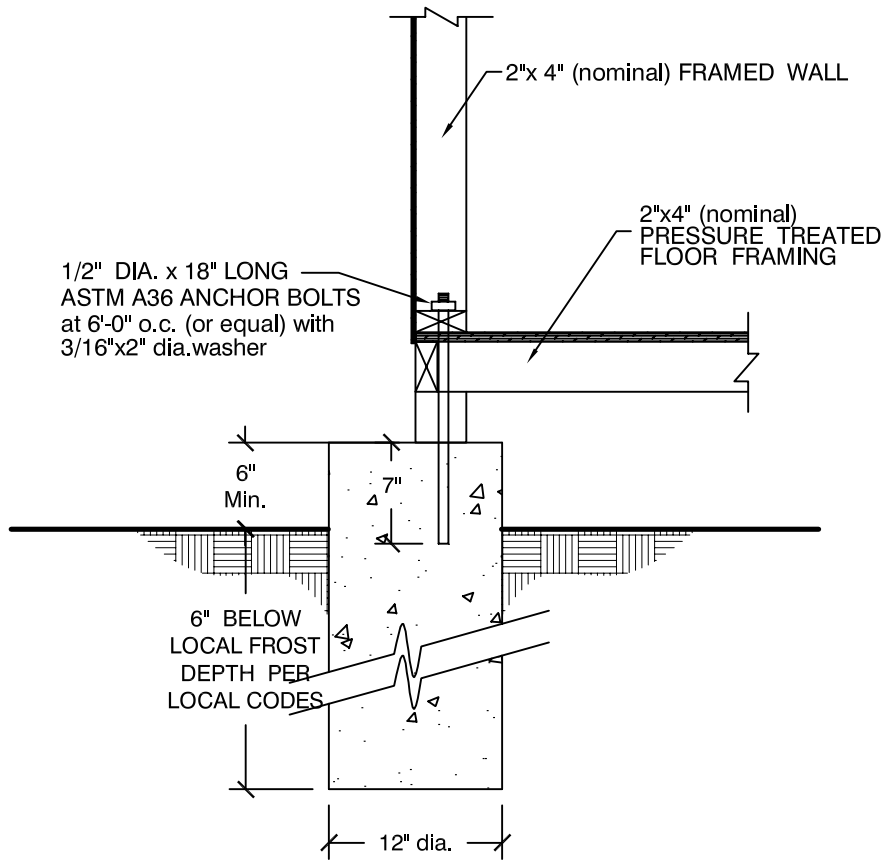


# Solar Shed

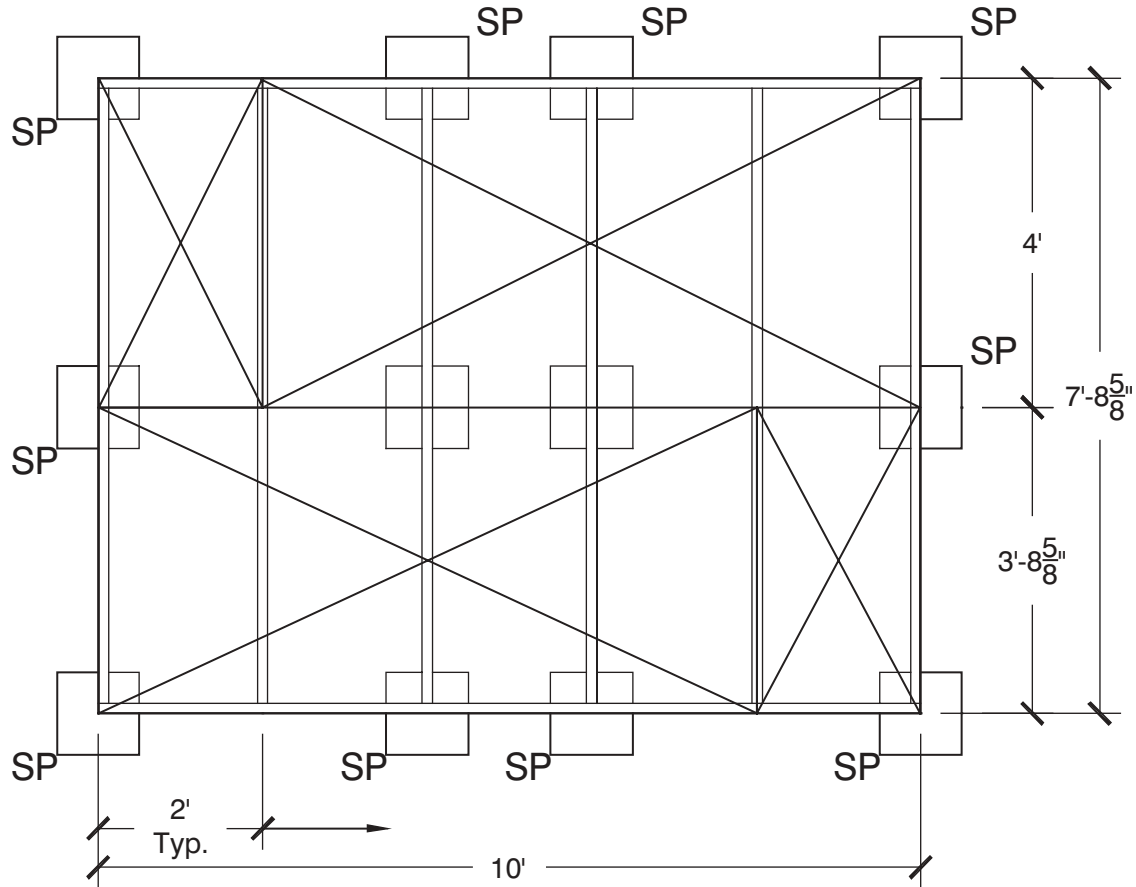
## Engineering Building Plans



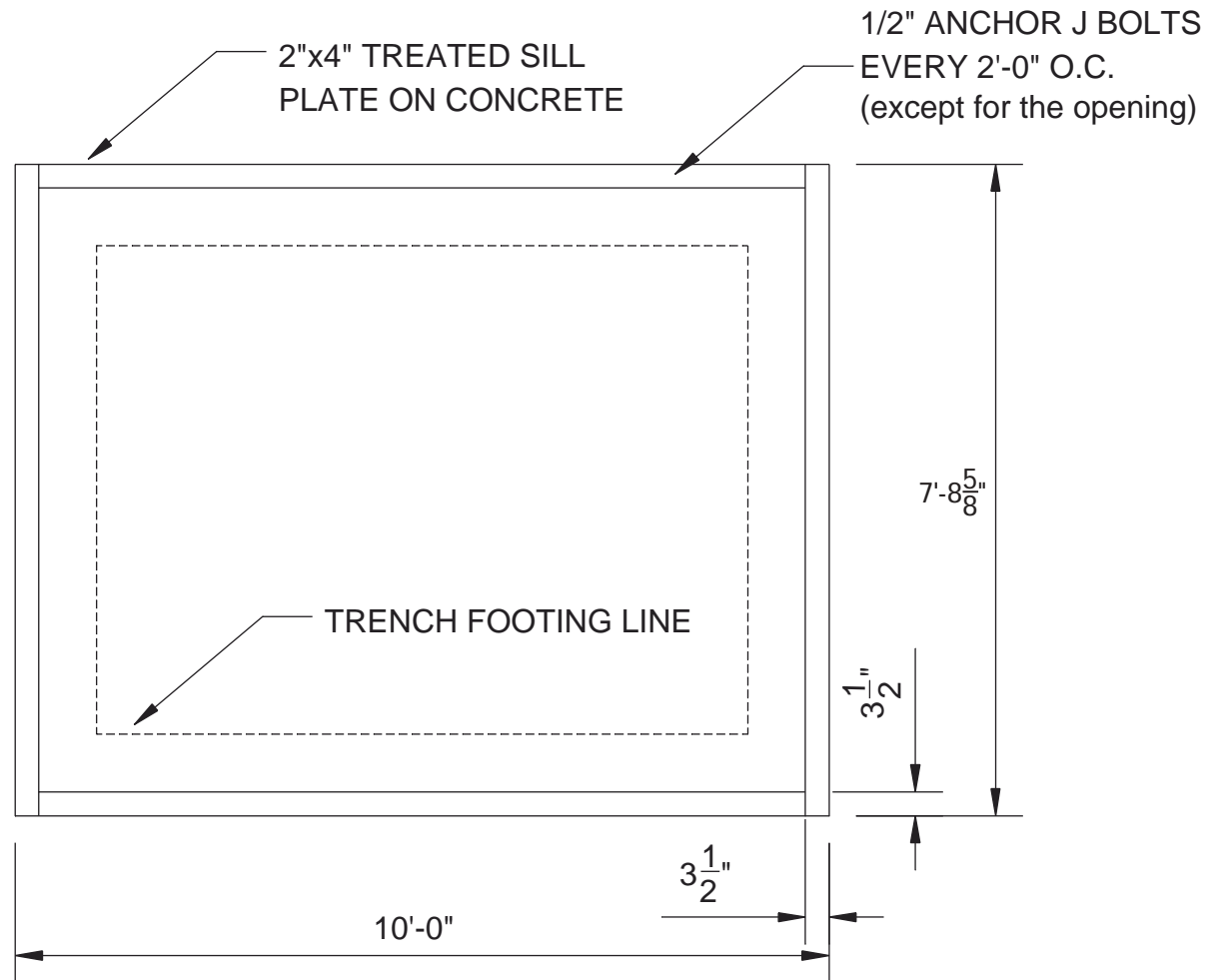


NOTE:

- 1.) ONLY THE PIERS INDICATED WITH SP ARE REQUIRED TO HAVE SIMPSON STRONG TIES



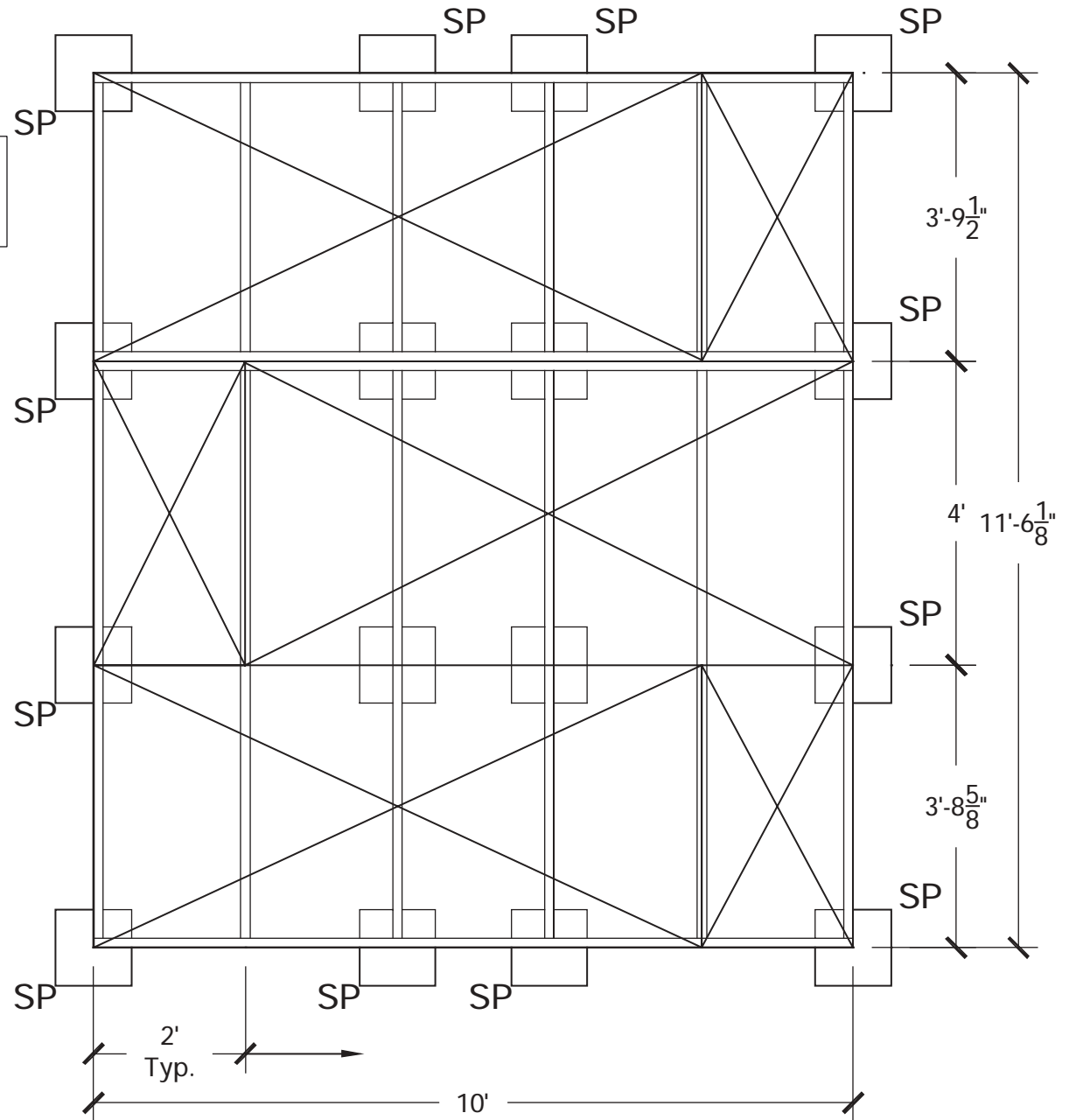
# 10 X 8 WOOD FLOOR PLAN



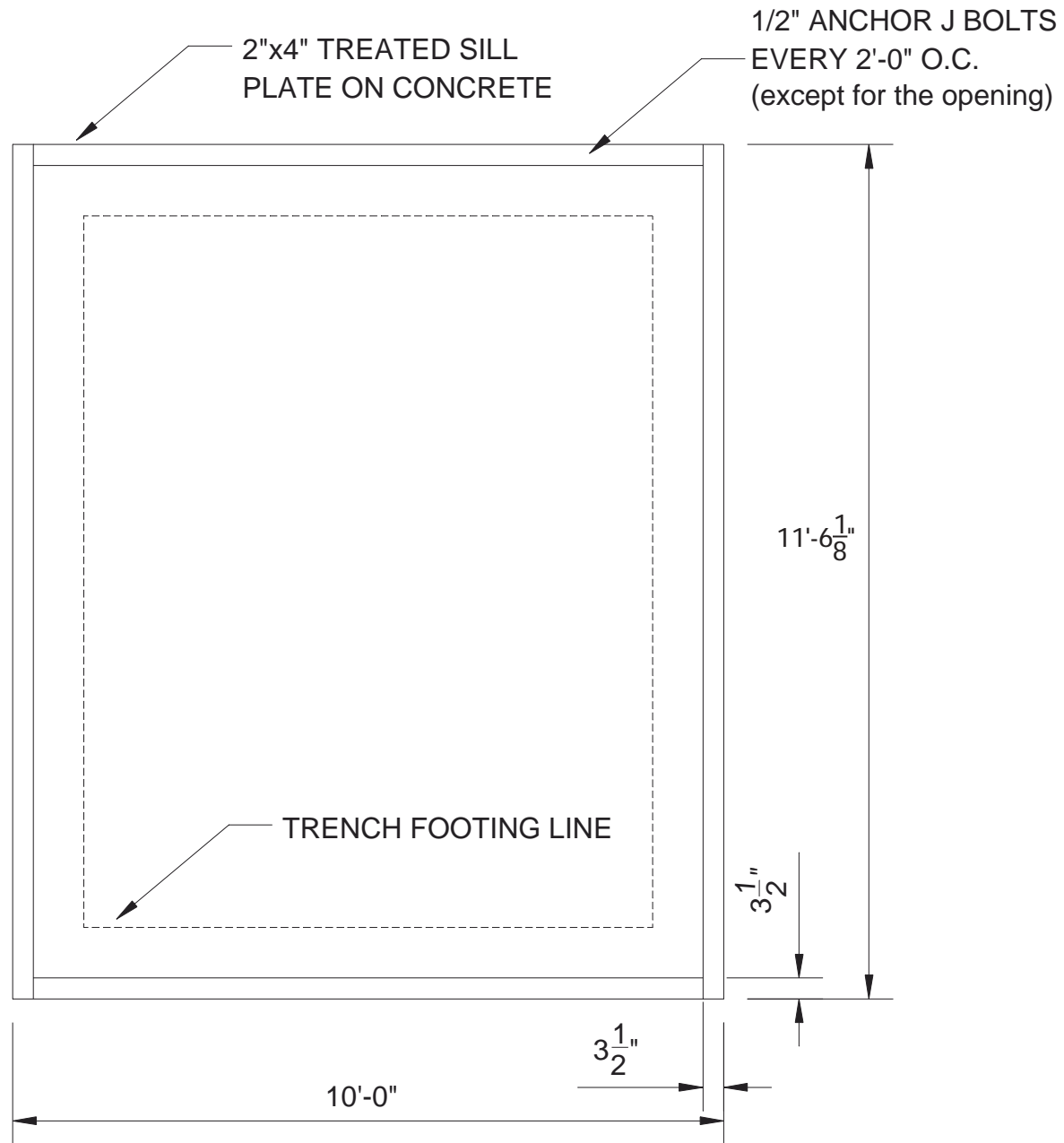
# 10 X 8 PLAN VIEW OF SLAB

**NOTE:**

- 1.) ONLY THE PIERS INDICATED WITH SP ARE REQUIRED TO HAVE SIMPSON STRONG TIES

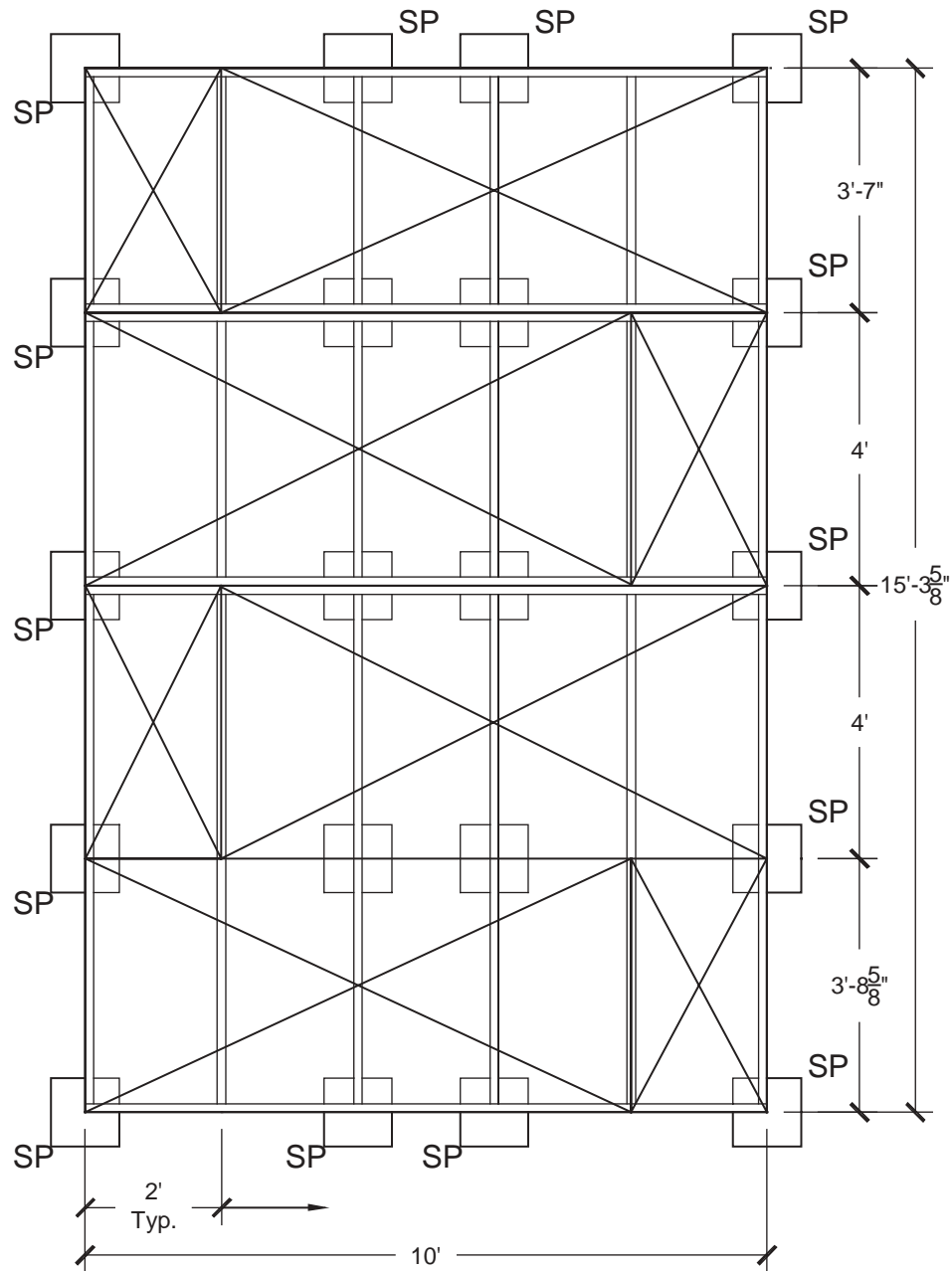


# 10 x 12 WOOD FLOOR PLAN

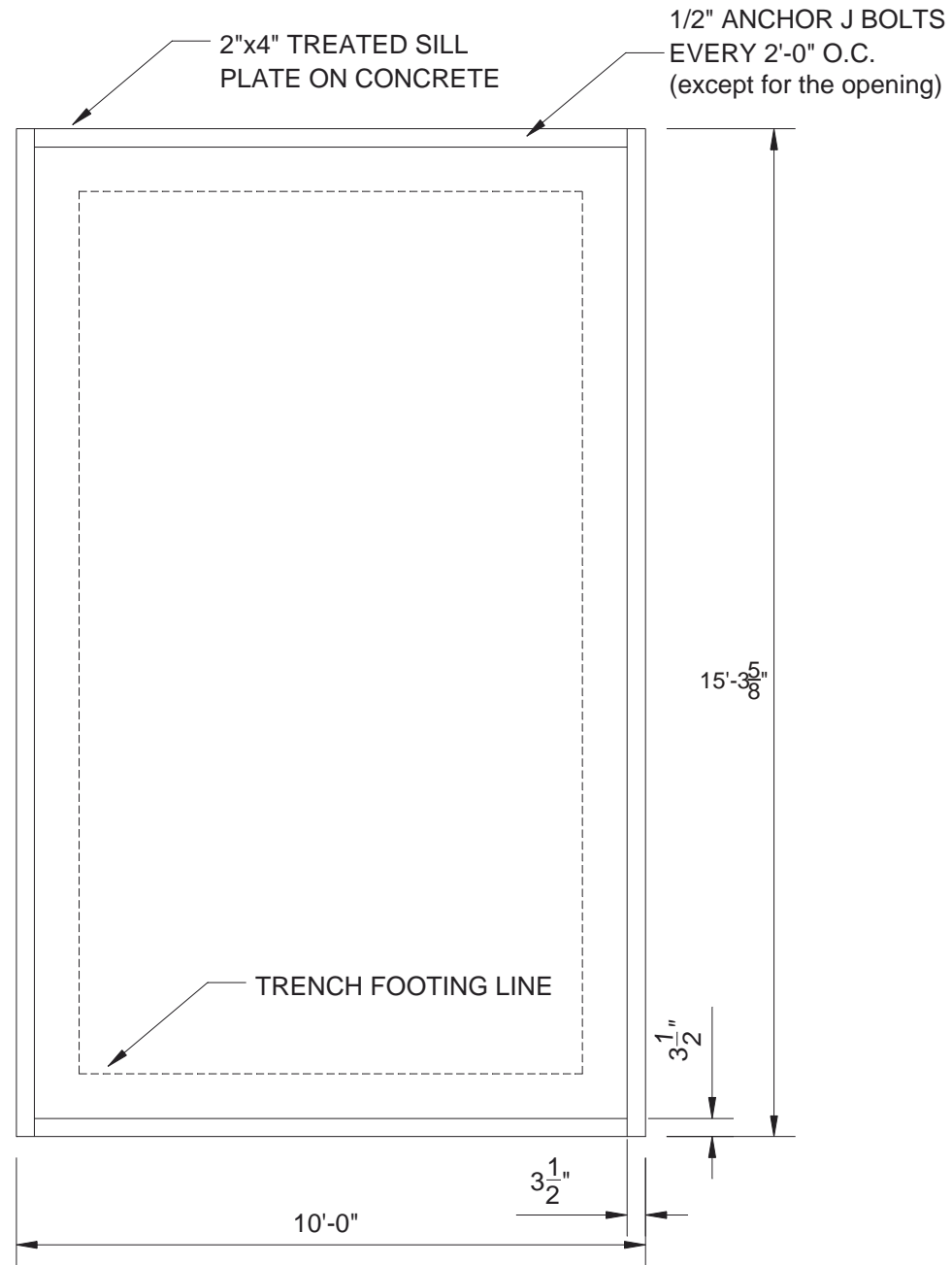


# 10 x 12 PLAN VIEW OF SLAB

**NOTE:**  
1.) ONLY THE PIERS INDICATED WITH SP ARE  
REQUIRED TO HAVE SIMPSON STRONG TIES

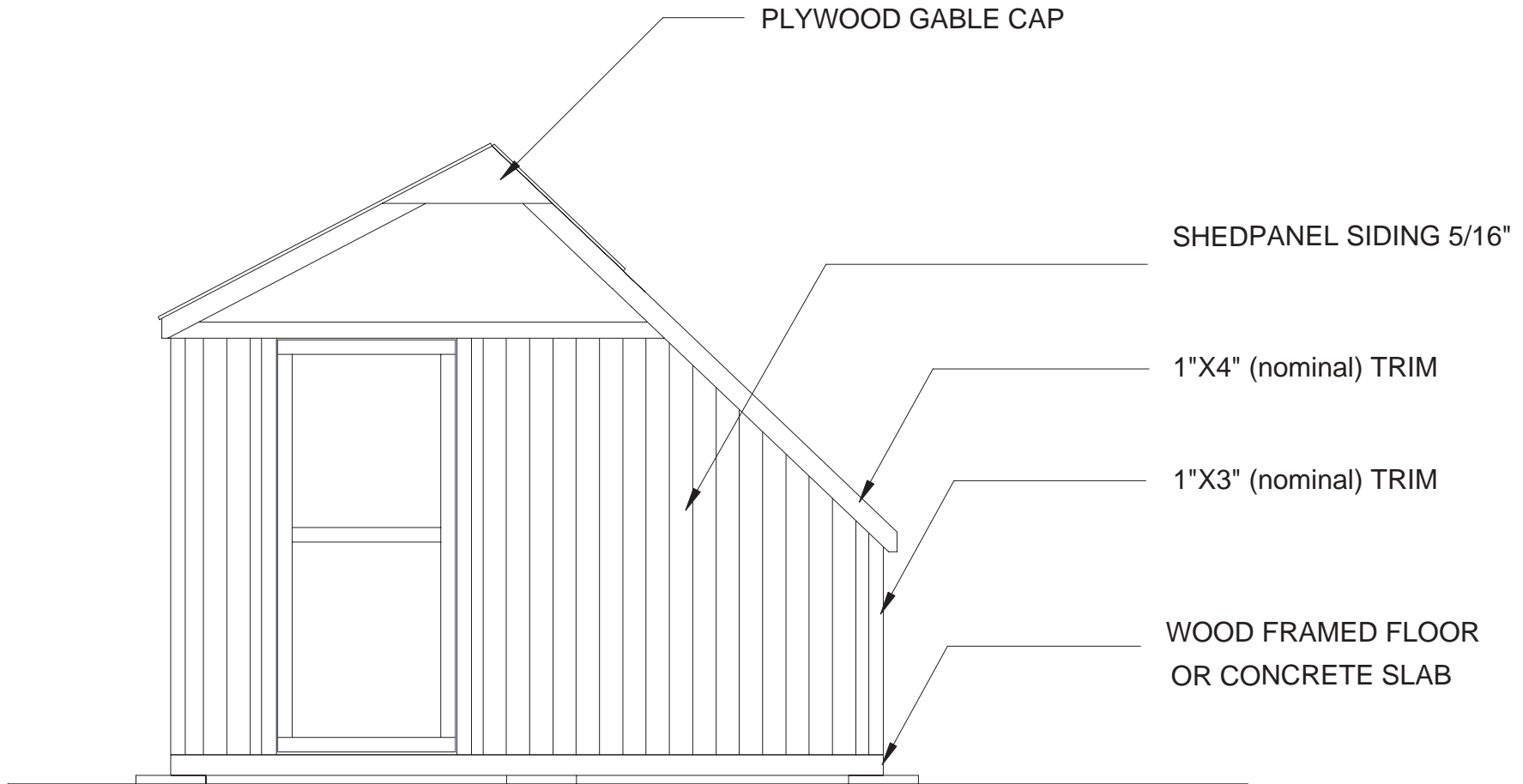


# 10 x 16 WOOD FLOOR PLAN

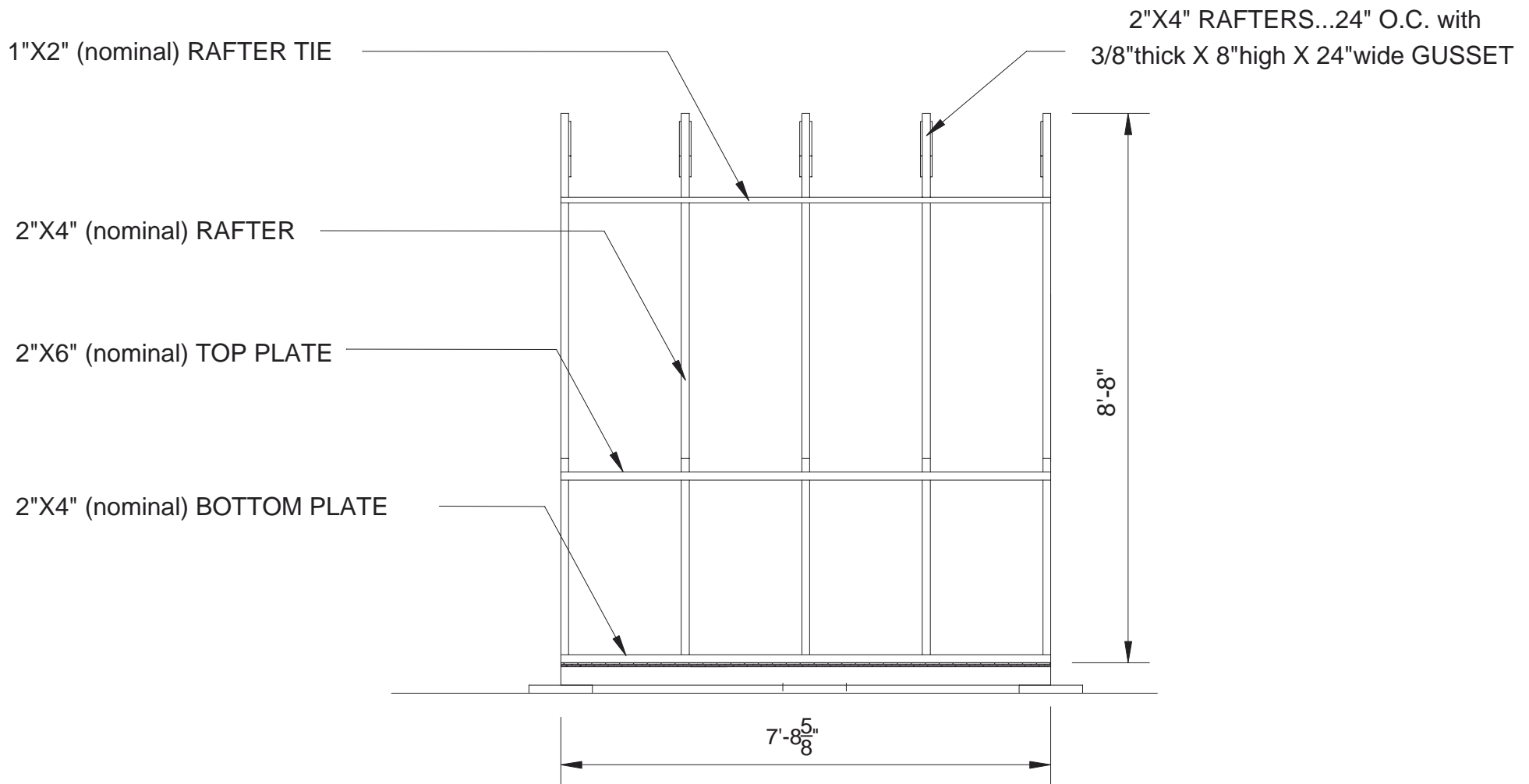


# 10 x 16 PLAN VIEW OF SLAB

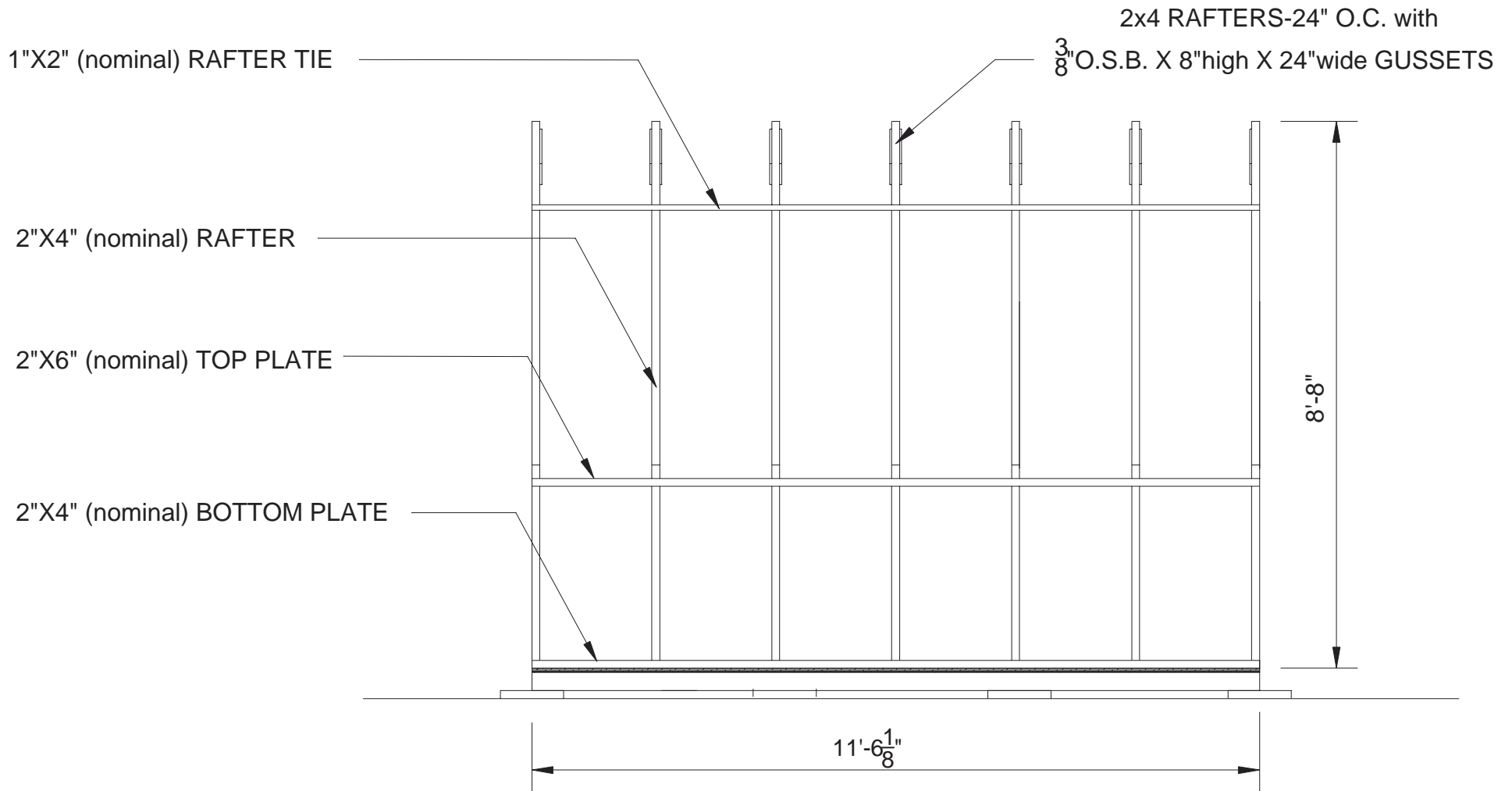




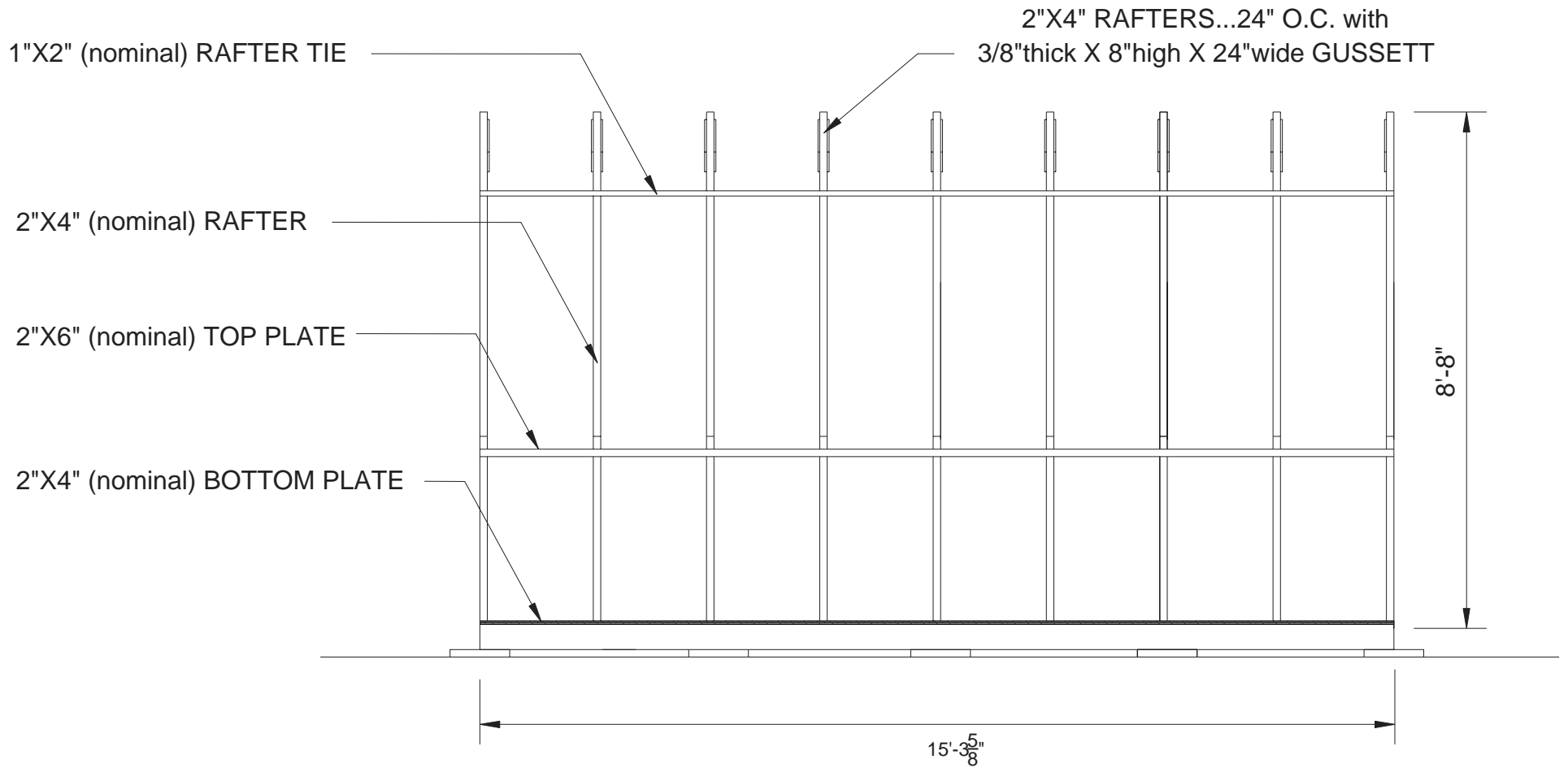
# LEFT ELEVATION



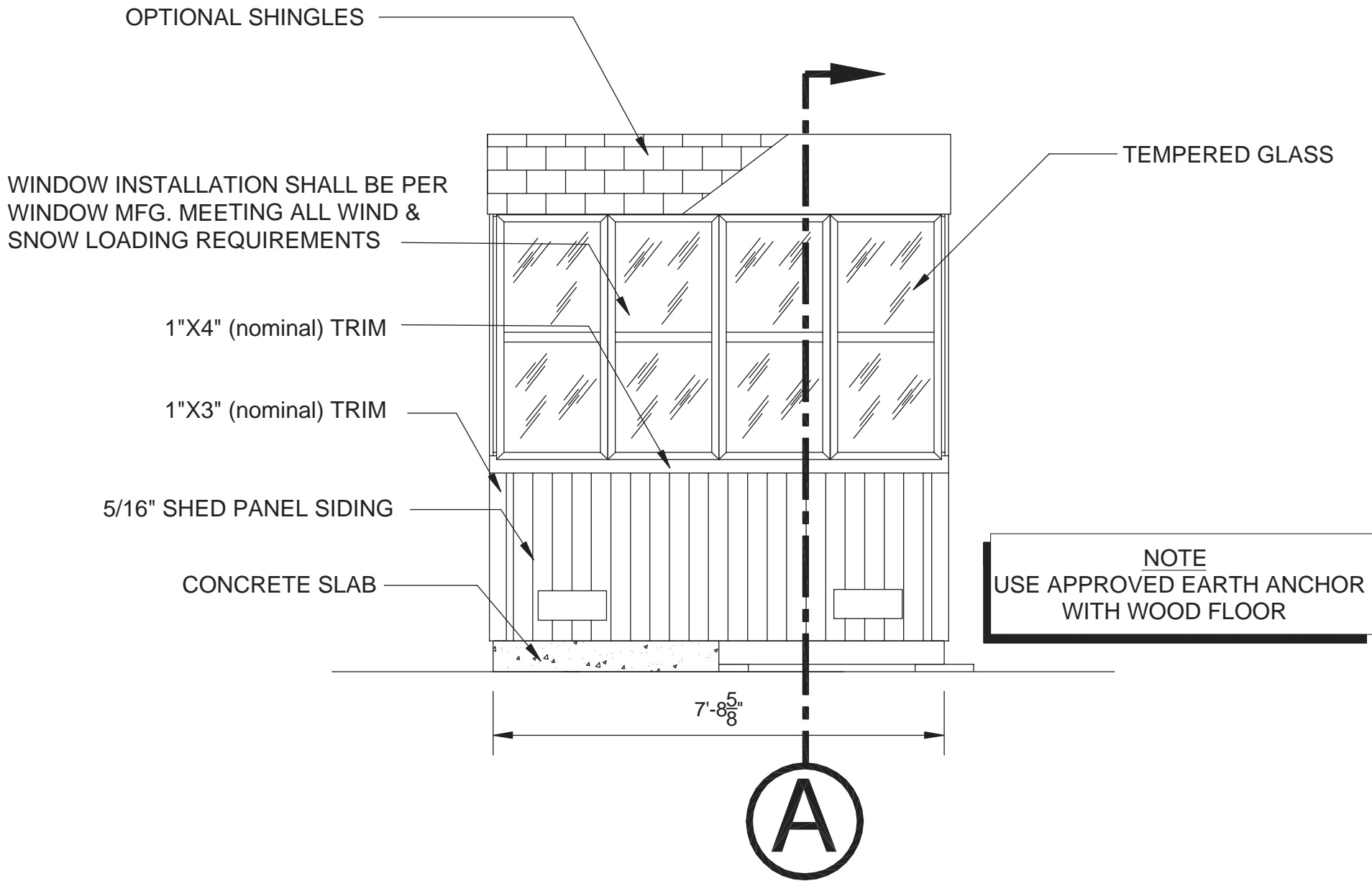
# 10 x 8 FRONT WALL FRAMING



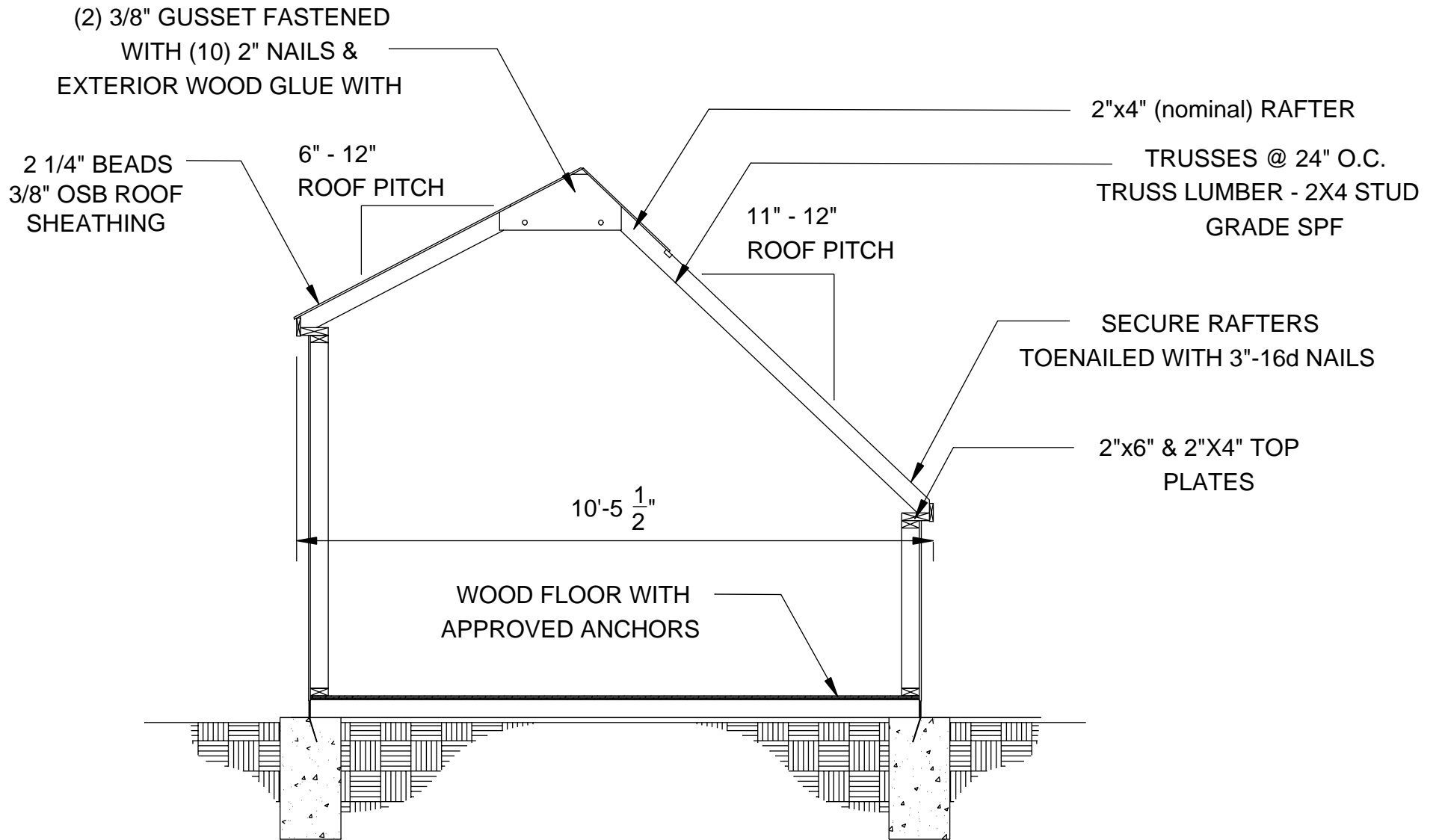
# 10 x 12 FRONT WALL FRAMING



# 10 x 16 FRONT WALL FRAMING



# FRONT ELEVATION



# SECTION A

---