

San Marino

10', 12' and 14' Gazebo



- BEFORE YOU BEGIN -

Always wear OSHA-APPROVED safety glasses throughout assembly process

■ First...

Read these instructions thoroughly before you begin assembly. Assembly is easiest if you follow the steps in the order shown. In a drawing, a dotted line represents a part hidden from view (like a part under a panel). Lumber is graded from only one side. Check the part for the most attractive face and make sure to face it to the outside.

■ Check all parts

Compare parts you have to the list on page 2. If a part is missing, circle the part in question in the parts list and call us toll-free at 1-800-437-0784.

■ Assistance required

We recommend that you assemble this Gazebo on level ground in the location it will be used. Assistance is necessary to handle, fit, and secure some components. Two people are needed for some steps.

■ Check local zoning

Before starting construction, check with your local building code official for any required permits, variances, etc.

■ Check Floor Kit Size

Before starting construction on your floor, make sure that you check in the instruction manual to make sure that you are building the correct size floor kit for your Gazebo. San Marino 10' actual floor size has to be a minimum of 9'-3" flat to flat or 10' Diameter. San Marino 12' actual floor size has to be a minimum of 11'-8-3/4" flat to flat or 13' Diameter is recommended. San Marino 14' actual floor size has to be a minimum of 14'-2" flat to flat or 15' Diameter is recommended.

#16695

Visit us on the Web at:
www.HandyHome.com

- TREATING YOUR GAZEBO -

■ Staining...

This Gazebo is constructed of a long-lasting western cedar. Untreated cedar exposed to sunlight will eventually weather to a silver-grey color. To validate your warranty and to help keep the original red color, read your warranty page on maintaining your Gazebo. Applying a minimum of two coats of oil based penetrating stain WITHIN 30 DAYS (required by warranty). Some sanding to remove rough edges and natural wood stains may be required prior to staining. Your Gazebo roof is not waterproof unless it is shingled. Caulking the roof seams before shingling will improve the water resistance of your Gazebo.

STAIN REQUIREMENTS FOR GAZEBOS

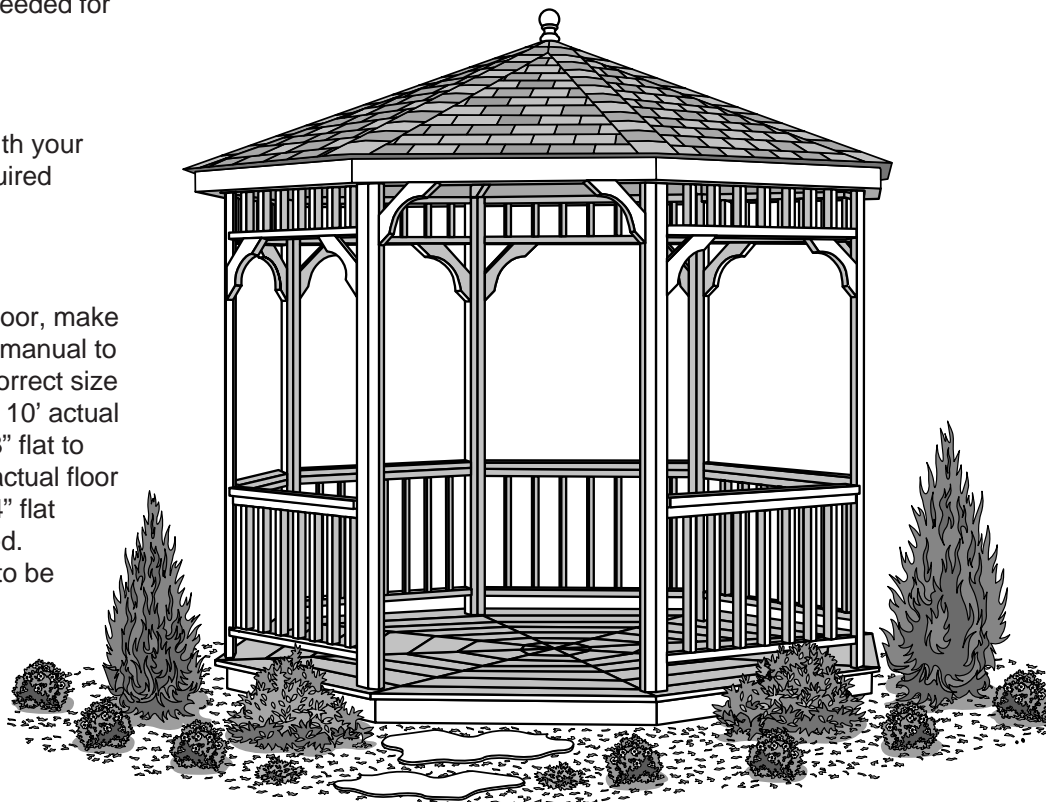
SIZE	# OF GALLONS	Add for Options	
		FLOOR	SCREEN KIT
10'	2	1	.5
12'	3	1	.5
14'	4	1.5	1

■ Tools required

- Hammer
- #2 Phillips Screwdriver
- Ladder
- Tape Measure
- Pencil

■ Optional tools

- Electric Drill w/ #2 Phillips Tip
- Nail Pouch
- 1/8" Drill bit-for predrilled holes
- Wood Glue



San Marino 10'- 8 sided Gazebo shown with optional Floor Kit (Not Included)
 San Marino 12'- 10 sided Gazebo (not shown)
 San Marino 14'- 12 sided Gazebo (not shown)

San Marino 10', 12' and 14' Gazebo

8-Sided

10-Sided

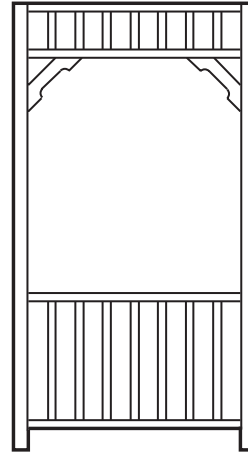
12-Sided

Parts List San Marino 10'

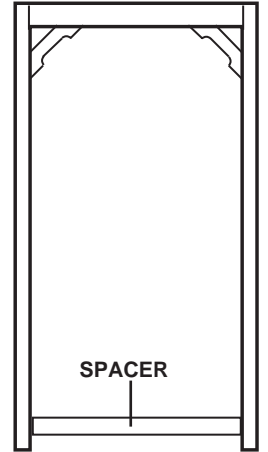
- 7 pcs. Pre-assembled Wall Panels 44-3/4" x 82-1/2"
- 1 pc. Pre-assembled Door Panel 44-3/4" x 82-1/2" with Spacer
- 1 pc. Roof Finial
- 1 pc. Ridge Block 8-Sided
- 1 pc. Metal Roof Cap
- 8 pcs. Plywood Triangular Roof Panels
- 8 pcs. Rafters 2 x 4 x 62-3/4"
- 8 pcs. Plywood Gusset Brackets
- 7 pcs. Sill Plates Notched 2 x 4 x 40-1/4"
- 8 pcs. Plywood Fascia 5/8" x 3-1/2" x 46-7/8"
- 8 pcs. Fascia Trim in Hardware 3/8" x 1-1/2" x 3-3/4"

Hardware Kit

- #8 - 3" Screw, #8 - 1-5/8" Screw, #8 - 2-1/2" Screw, 6d-2" Nail, 4d-1-1/2" Finish Nail, 3/4" Roofing Nail, 1" Roofing Nail



PRE-ASSEMBLED WALL PANEL



PRE-ASSEMBLED DOOR PANEL



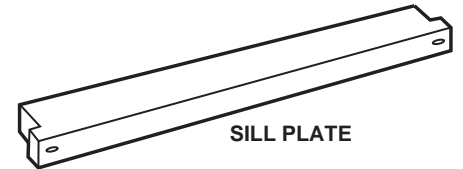
ROOF FINIAL

Parts List San Marino 12'

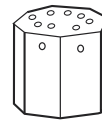
- 9 pcs. Pre-assembled Wall Panels 44-3/4" x 82-1/2"
- 1 pc. Pre-assembled Door Panel 44-3/4" x 82-1/2" with Spacer
- 1 pc. Roof Finial
- 1 pc. Ridge Block 10-Sided
- 1 pc. Metal Roof Cap
- 10 pcs. Plywood Triangular Roof Panels
- 10 pcs. Rafters 2 x 6 x 78-3/8"
- 10 pcs. Plywood Gusset Brackets
- 9 pcs. Sill Plates Notched 2 x 4 x 40-1/4"
- 10 pcs. Plywood Fascia 5/8" x 3-1/2" x 46-3/8"
- 10 pcs. Fascia Trim in Hardware 3/8" x 1-1/2" x 3-3/4"
- 2 pcs. Ridge 10 Sided Cover 1/2" x 5-1/4"
- 18 pcs. Corbels 2 x 4 x 14"

Hardware Kit

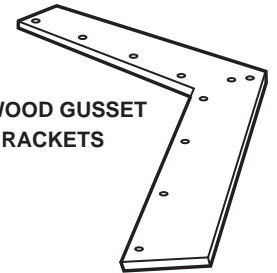
- #8 - 3" Screw, #8 - 1-5/8" Screw, #8 - 2-1/2" Screw, 6d-2" Nail, 4d-1-1/2" Finish Nail, 3/4" Roofing Nail, 1" Roofing Nail



SILL PLATE



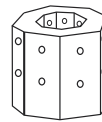
10' RIDGE BLOCK



PLYWOOD GUSSET BRACKETS



12' AND 14' RIDGE BLOCK COVER



12' AND 14' RIDGE BLOCK



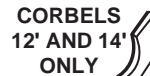
PLYWOOD FASCIA

Parts List San Marino 14'

- 11 pcs. Pre-assembled Wall Panels 44-3/4" x 82-1/2"
- 1 pc. Pre-assembled Door Panel 44-3/4" x 82-1/2" with Spacer
- 1 pc. Roof Finial
- 1 pc. Ridge Block 12-Sided
- 1 pc. Metal Roof Cap
- 12 pcs. Plywood Triangular Roof Panels Small
- 12 pcs. Plywood Roof Panels Large
- 12 pcs. Rafters 2 x 6 x 92-7/8"
- 12 pcs. Plywood Gusset Brackets
- 11 pcs. Sill Plates Notched 2 x 4 x 40-1/4"
- 12 pcs. Plywood Fascia 5/8" x 3-1/2" x 46"
- 12 pcs. Fascia Trim in Hardware 3/8" x 1-1/2" x 3-3/4"
- 2 pcs. Ridge 12 Sided Cover 1/2" x 7-1/8"
- 22 pcs. Corbels 2 x 4 x 14"
- 12 pcs. Temporary Brace 6"x14"

Hardware Kit

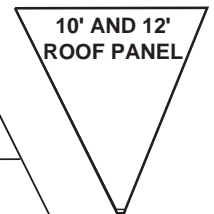
- #8 - 3" Screw, #8 - 1-5/8" Screw, #8 - 2-1/2" Screw, 3/4" Screw, 6d-2" Nail, 4d-1-1/2" Finish Nail, 3/4" Roofing Nail, 1" Roofing Nail



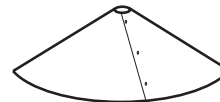
CORBELS 12' AND 14' ONLY



FASCIA TRIM



10' AND 12' ROOF PANEL



METAL ROOF CAP



14' ROOF PANEL 2 PIECES

NATIONAL STANDARD LUMBER SIZES

Nominal size	Actual size
1 x 4	3/4" x 3-1/2"
2 x 4	1-1/2" x 3-1/2"
2 x 2	1-1/2" x 1-1/2"
2 x 6	1-1/2" x 5-1/2"

1

FLOOR SYSTEM (Floor systems not supplied with kit)

YOU MUST BUILD YOUR GAZEBO ON A FLOOR SYSTEM.

SITE PREPARATION

- Site must be properly leveled.
- Site should have natural drainage to eliminate puddling under and around the building.
- Site should be covered with plastic film to discourage grass growth under the building and to serve as a vapor barrier.

Before assembling your gazebo, you must first construct a floor system. You can:

- A. Purchase our optional pre-cut Floor Kit.
- B. Purchase materials to cut and build your own wooden floor.

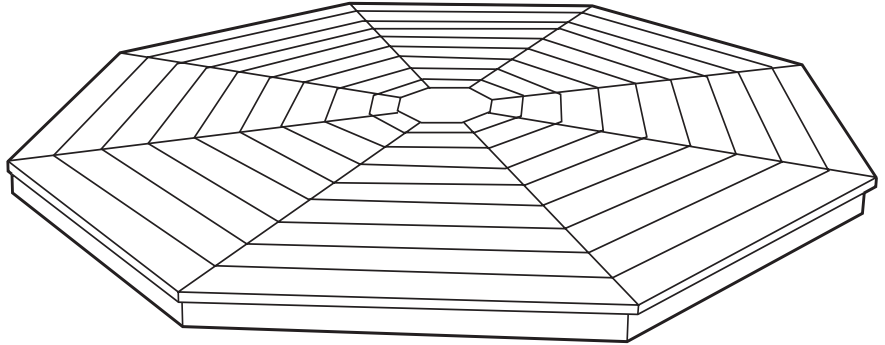
NOTE: Our Precut Floor Kits have been designed for normal residential use. It is characteristic for the floor panels to deflect (flex) during normal use. If you intend to store very heavy objects in your Gazebo, you may want to consider adding floor joists to reduce the span.

OR

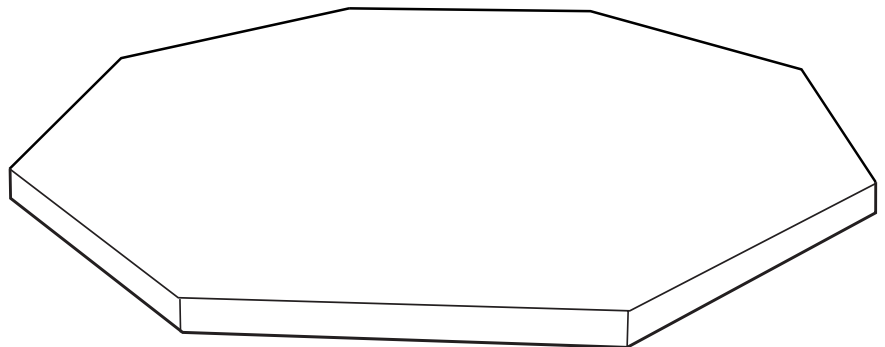
- C. Install a 4" concrete slab floor system.

IF USING CONCRETE SLAB FLOOR SYSTEM

- Construct 4" Concrete Slab Floor System.
- Upon completion of above steps, skip "Floor Kit Assembly" section and proceed to Step #2: Assembling Wall Panels.



Wooden Floor Kit



Concrete Slab Floor System

1 WOOD FLOOR SITE PREPARATION

For optional pre-cut floor kit, follow assembly instructions included with floor kit.

It is important to have a solid, flat and level foundation for your Gazebo.

Carefully consider the recommendations listed below prior to creating your foundation.

LEVEL GROUND INSTALLATION

Remove dirt to allow for Floor Frame. Shim outside of frame corners as needed. Follow local codes for anchoring requirement or see local home center for recommendation.

UNEVEN GROUND INSTALLATION

Use treated 4 x 4 posts or concrete piers on each corner and in center of deck. Hole depth will vary according to local building codes. Cut center post 1-1/2" shorter to allow for Base Plate as shown in **Fig.1**. Nail or screw Deck to top of 4 x 4 posts. Use Simpson Tie or similar for each Concrete pier. See local home center.

HARD SURFACE INSTALLATION

Do Not Use the Base Plate in our Floor Kit for Hard Surfaces. Measurements given on the illustration are 1-1/2" larger than the outside dimensions of the Gazebo. You may choose to make your own floor larger than the dimensions given. **Step 5 shows you how to anchor your gazebo.**

(Hardware not included in Kit.)

Wood Floor Dimensions

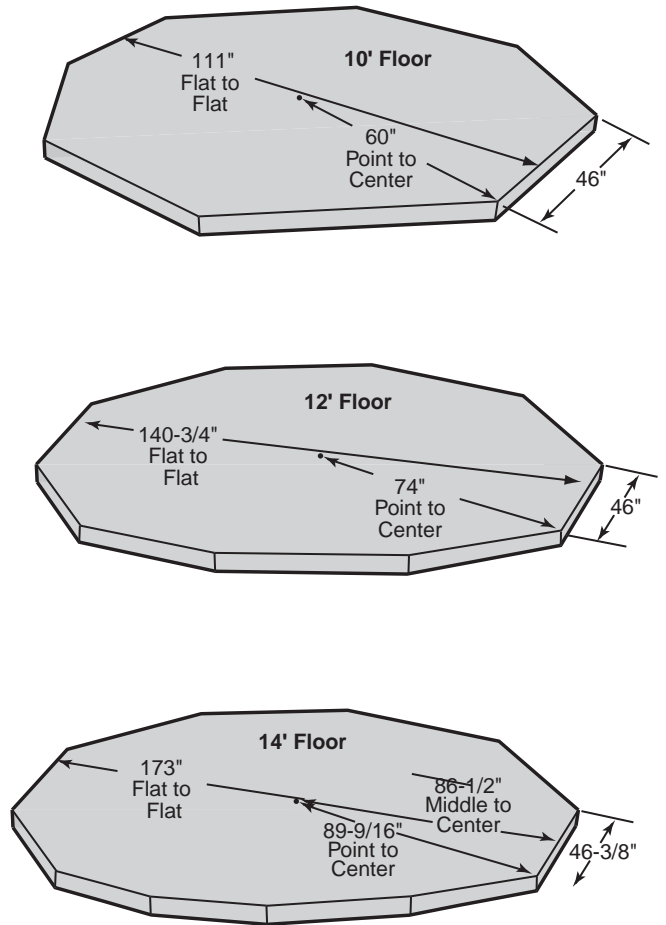
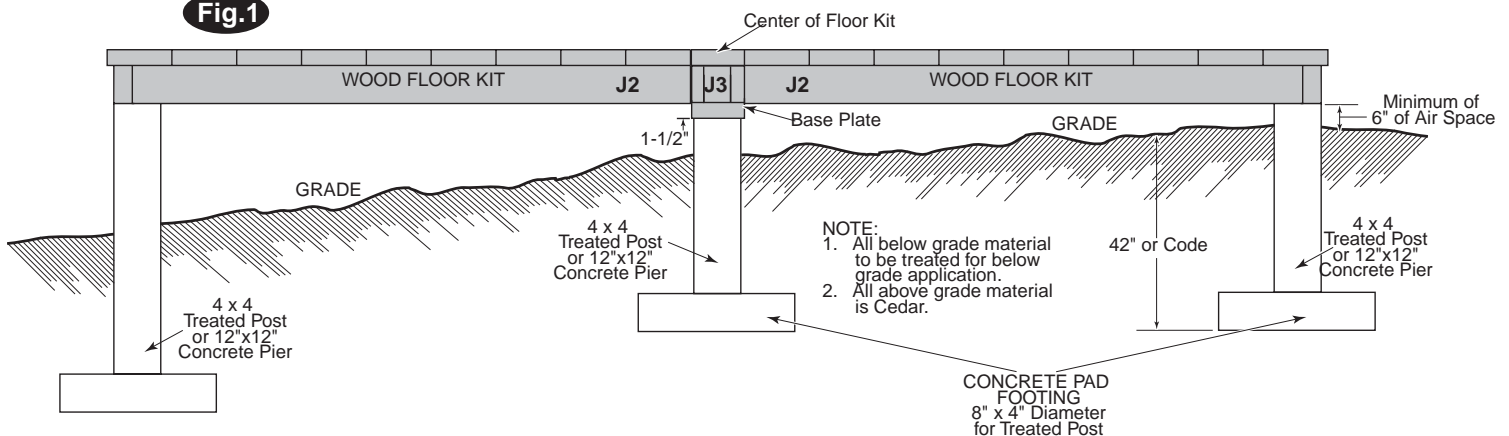


Fig.1



1

CONCRETE SLAB SITE PREPARATION

It is important to have a solid, flat and level foundation for your Gazebo. Carefully consider the recommendations listed below prior to creating your foundation.

CONCRETE SLAB OR HARD SURFACE INSTALLATION

Measurements given on the **Fig. 1** Concrete Slab Dimensions illustration are 1-1/2" larger than the outside dimensions of the Gazebo. You may choose to make your concrete slab larger than the dimensions given. **Step 5 shows you how to anchor your gazebo. (Hardware not included in Kit.)**

Dig out 4" of ground for concrete and 4" for sand/gravel (per local code) so it is level. Finish digging 12" wide by 12" deep (per local code) continuous footing around the perimeter of the pad. Use wood forms around the perimeter of gazebo foundation area. Use rebar as needed. Pour concrete and make sure all points of the concrete top are level and see **Fig 2**.

Fig.1 Concrete Slab Dimensions

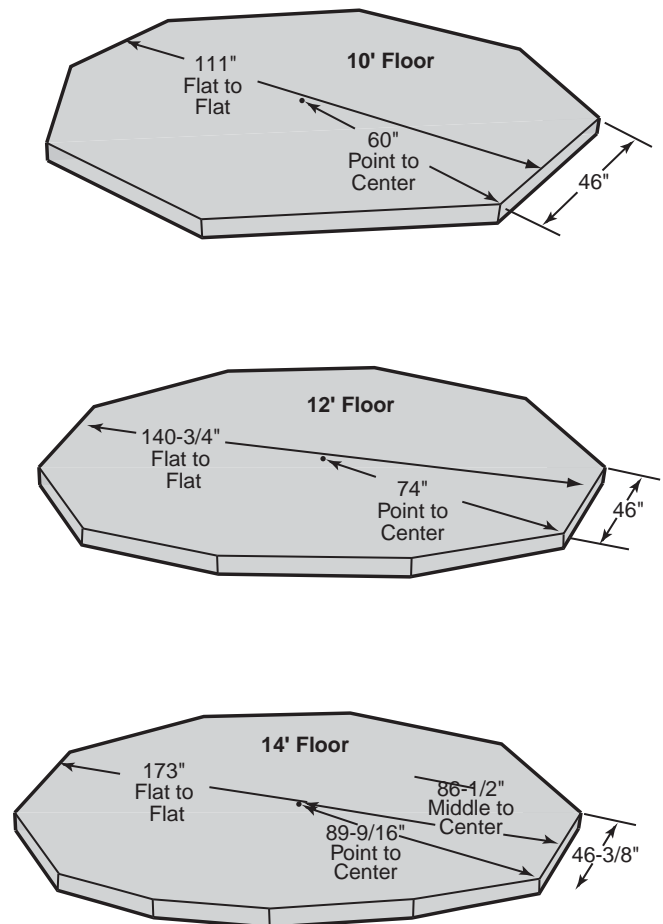
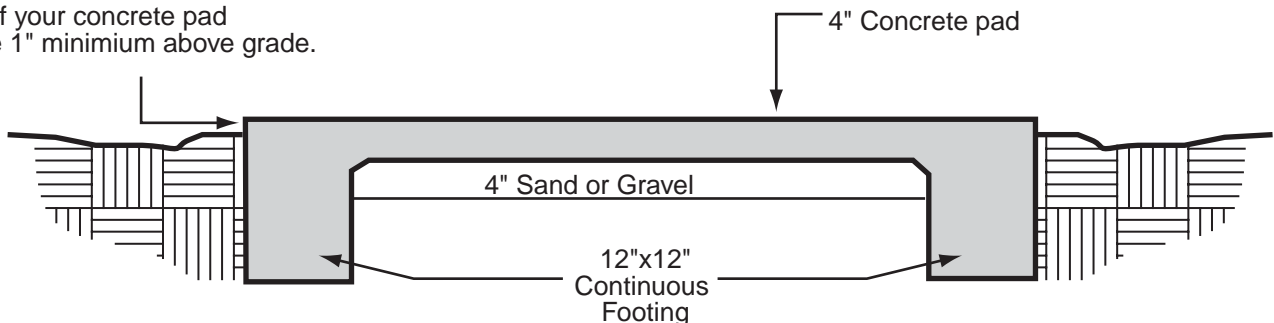


Fig.2

The top of your concrete pad should be 1" minimum above grade.



2 ASSEMBLING WALL PANELS

PARTS LIST 10' GAZEBO

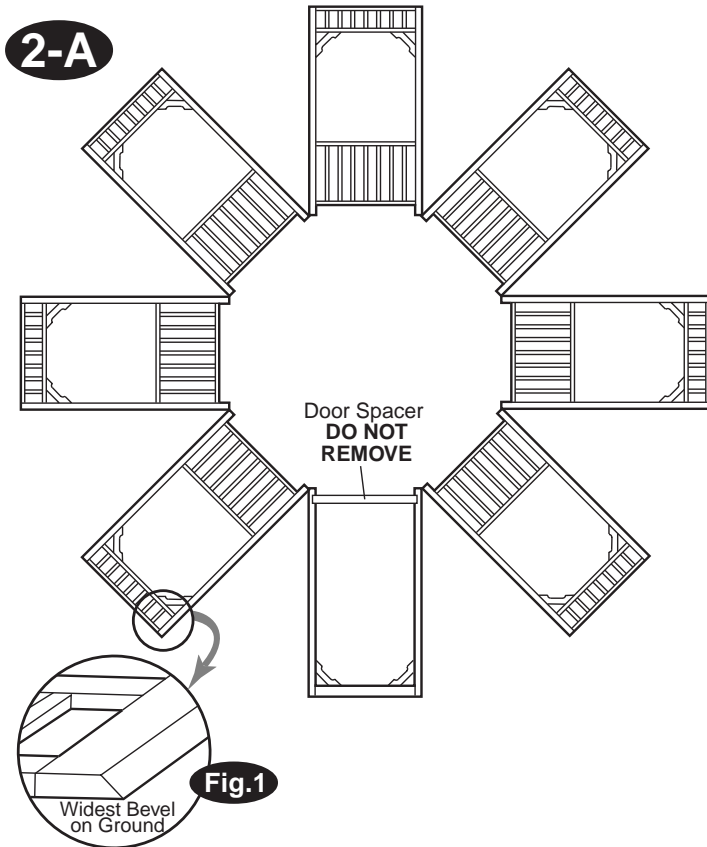
- 7 pcs. Pre-assembled Wall Panels
- 1 pc. Pre-assembled Door Panels

PARTS LIST 12' GAZEBO

- 9 pcs. Pre-assembled Wall Panels
- 1 pc. Pre-assembled Door Panels

PARTS LIST 14' GAZEBO

- 11 pcs. Pre-assembled Wall Panels
- 1 pc. Pre-assembled Door Panels



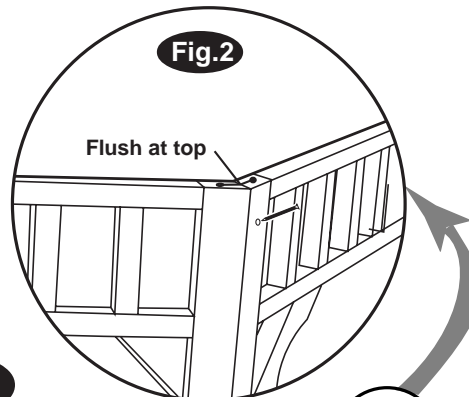
2-A:

Select desired Door location and position Wall Panels on ground around foundation as shown in **Fig. 2-A**.

If you are constructing the **12' Gazebo**, please allow for two additional wall sections when laying out your walls.

If you are constructing the **14' Gazebo**, please allow for four additional wall sections when laying out your walls.

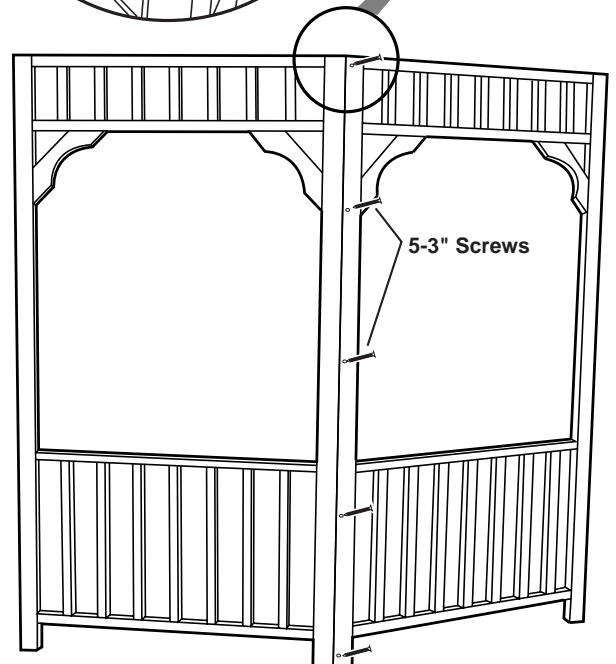
NOTE: Wall Panels have beveled edges. The widest bevel will face the ground and is the outside of the Gazebo wall as shown in Fig. 1.



2-B:

Stand up two adjoining Wall Panels and attach them together using five 3" screws as shown in illustration **2-B**. **HINT: Start in middle and work up and down.** Make sure that the two Wall Panels are flush at the top as shown in **Fig. 2**. Connect all Wall Panels in this same manner, making sure not to remove the Door spacer at this time.

Note: Use wood glue (not included) between Wall Panels for added strength and to meet some local building codes.



3

INSTALLING GUSSET BRACKETS

PARTS LIST 10' GAZEBO

□ 8 pcs. Plywood Gusset Bracket

PARTS LIST 14' GAZEBO

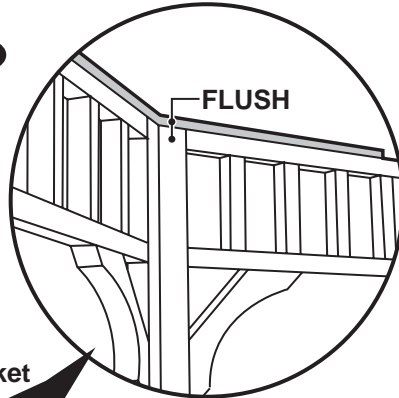
□ 12 pcs. Plywood Gusset Bracket

PARTS LIST 12' GAZEBO

□ 10 pcs. Plywood Gusset Bracket

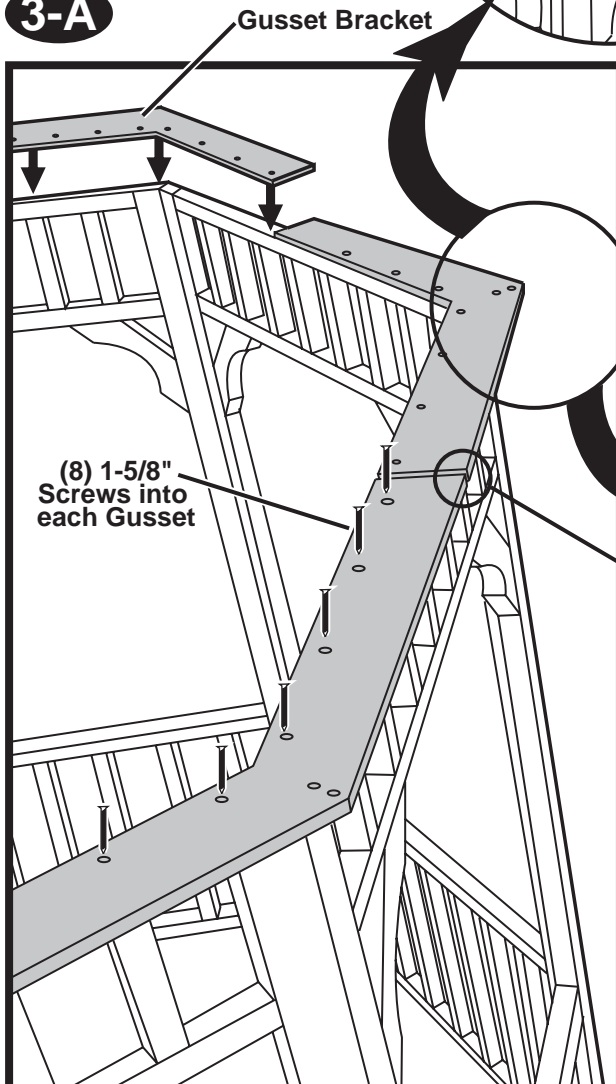
VIEW FROM INSIDE

Fig.1



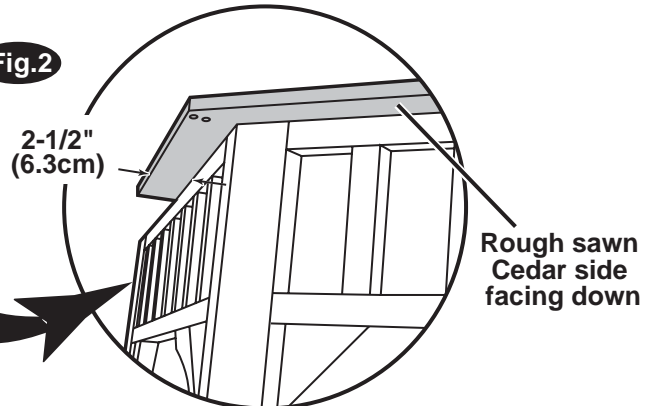
Note: Use wood glue (not included) between Wall Panels and Gussets for added strength and to meet some local building codes. Temporarily install all gussets with 1-5/8" screws to align walls. Remove one gusset, apply glue, install all screws. Continue for all Gussets.

3-A



VIEW FROM OUTSIDE

Fig.2



Gap may vary in between Gussets

3-A:

Install Gusset Brackets with Rough sawn Cedar side facing down using eight 1-5/8" screws for each Gusset. Make sure that the Gusset Bracket is flush to the inside of the Wall Panel and that the inside corner is directly over inside corner of Wall Panel as shown in **Fig. 1**. The Gusset Bracket should overhang the outside edge of the Wall Panel by 2-1/2" as shown in **Fig. 2**. This step may require some pulling of the Wall Panel to bring it into proper position. Tip to tip measurement on Gussets is 46-7/8" for 10' Gazebo and 46-3/8" on 12' Gazebo and 46" for 14' Gazebo. The gap between Gussets may vary.

4

RAFTER AND RIDGE BLOCK ASSEMBLY AND ERECTING RAFTERS

PARTS LIST 10' GAZEBO

- 8 pcs. Rafters 2 x 4 x 62-3/4"
- 1 pc. Ridge Block-8 Sided

PARTS LIST 12' GAZEBO

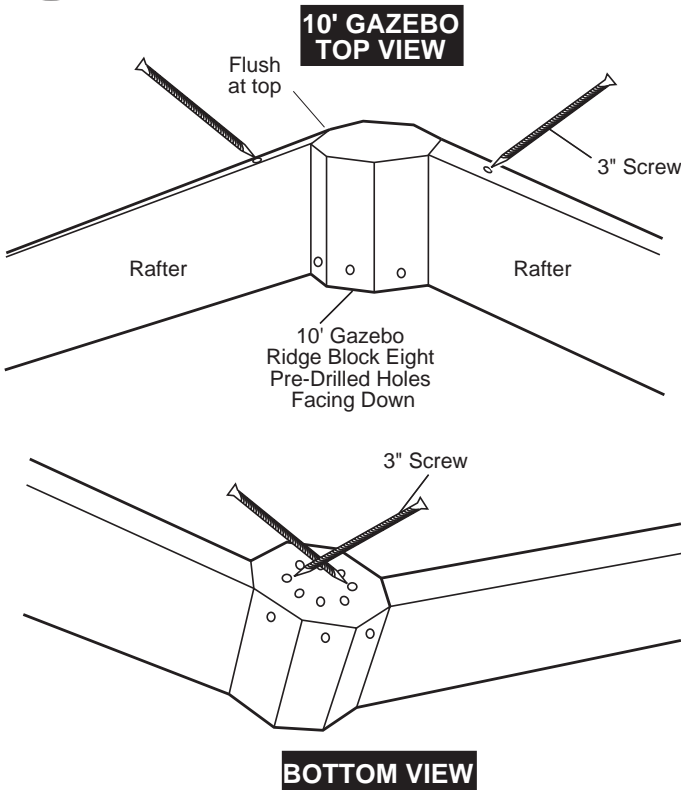
- 10 pcs. Rafters 2 x 6 x 78-3/8"
- 1 pc. Ridge Block - 10 Sided
- 2 pc. Ridge Cover-10 Sided

PARTS LIST 14' GAZEBO

- 12 pcs. Rafters 2 x 4 x 92-7/8"
- 1 pc. Ridge Block-12 Sided
- 2 pc. Ridge Cover-12 Sided

If you are assembling a 12 or 14' Gazebo, please begin with step 4-B, if you are assembling a 10' Gazebo, please go to step 4-A.

4-A



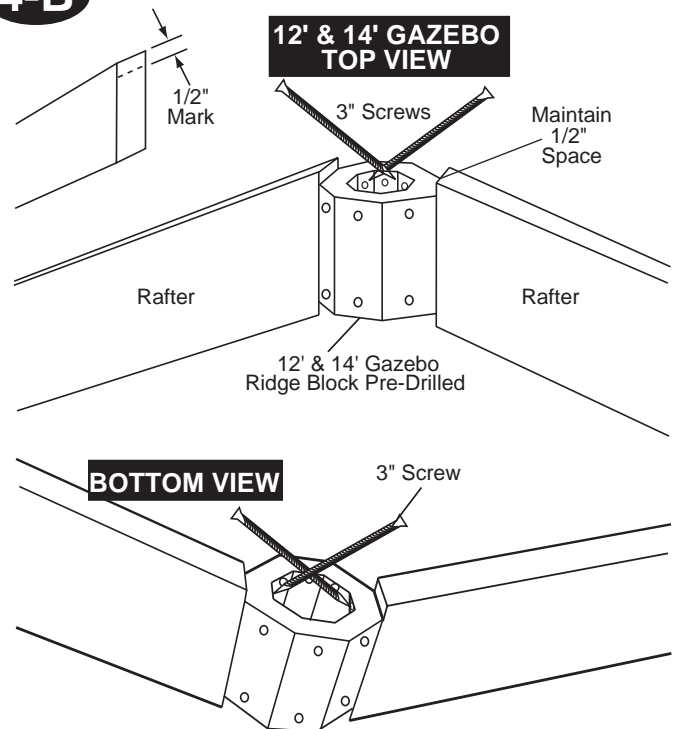
4-A:

For a 10' Gazebo, assemble Rafters (with pre-drilled holes facing up) by joining two Rafters on opposite sides to Ridge Block (with predrilled holes in Ridge Block facing down) using two 3" screws through predrilled hole in top of Rafter. Once two Rafters are connected to Ridge Block, carefully turn over and attach two 3" screws through predrilled holes in Ridge Block into Rafter. The 10' San Marino has eight Rafters. Do not assemble remaining rafters at this time, continue with step 4-C.

4-B:

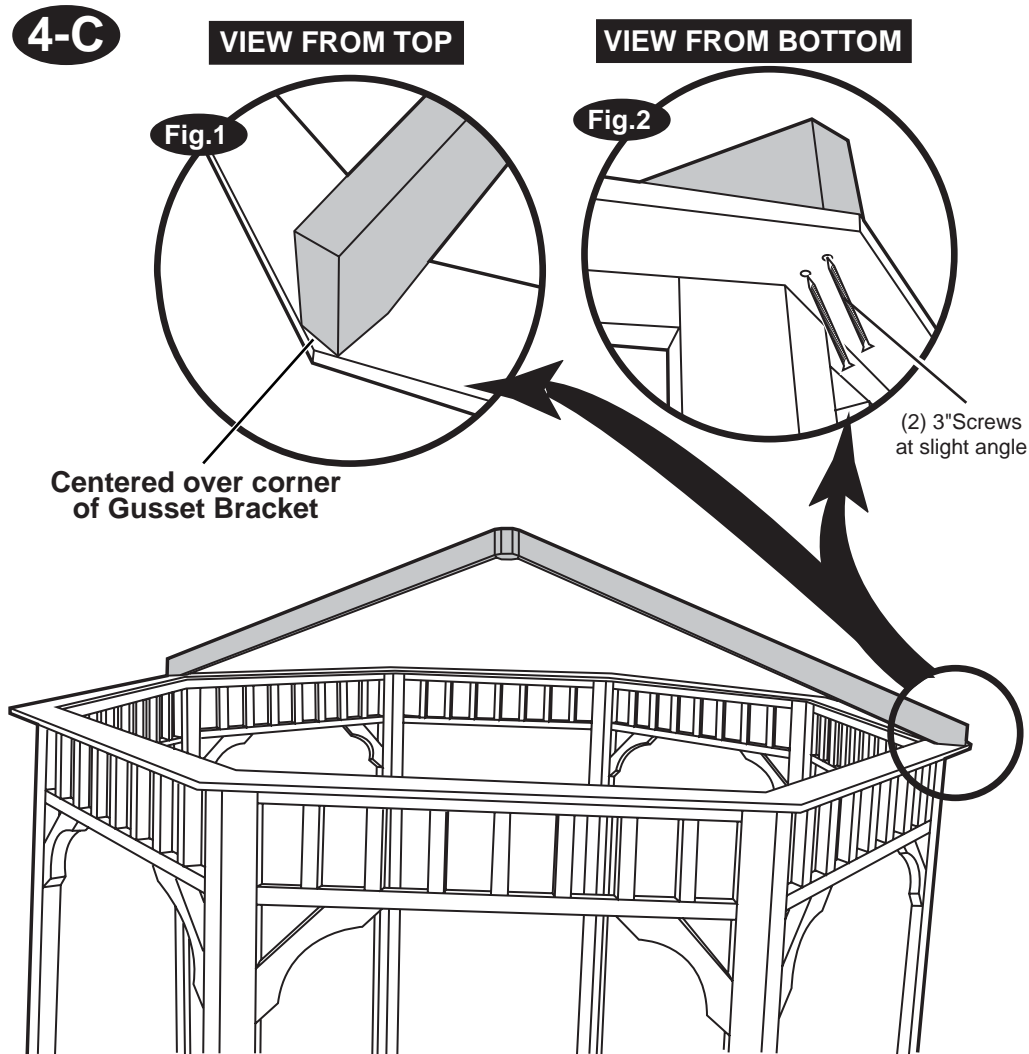
For 12' and 14' Gazebo, assemble Rafters by joining two Rafters on opposite sides to Ridge Block using two 3" screws through predrilled hole in top of Ridge Block. Leave a 1/2" gap between the top of the rafter and the Ridge block. Once two Rafters are connected to Ridge Block, carefully turn over and attach two 3" screws through predrilled holes in Ridge Block into Rafter. The 12' has ten Rafters and the 14' has Twelve Rafters. Do not assemble remaining rafters at this time, continue with step 4-C.

4-B



4

RAFTER AND RIDGE BLOCK ASSEMBLY CONTINUED



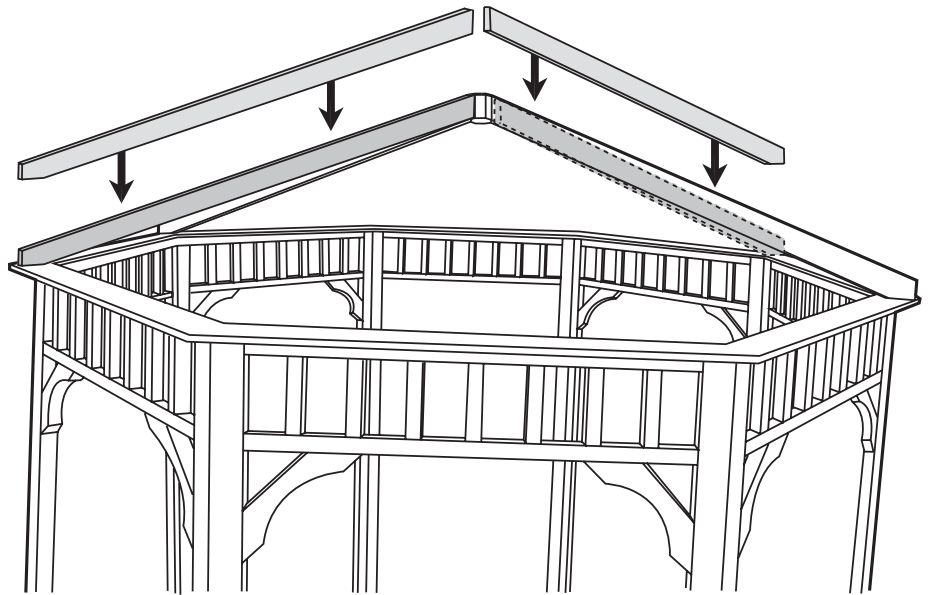
4-C:

Carefully lift the Rafter and Ridge Block assembly on top of the Gusset Brackets at opposite corners of the Gazebo. Place Rafter Ends at center of outside corner of Gusset Bracket as shown in **Fig. 1**. Once Rafter is in place, attach to Gusset Bracket with two 3" screws through predrilled holes from underside of Gusset Bracket into bottom of Rafter as shown in **Fig. 2**.

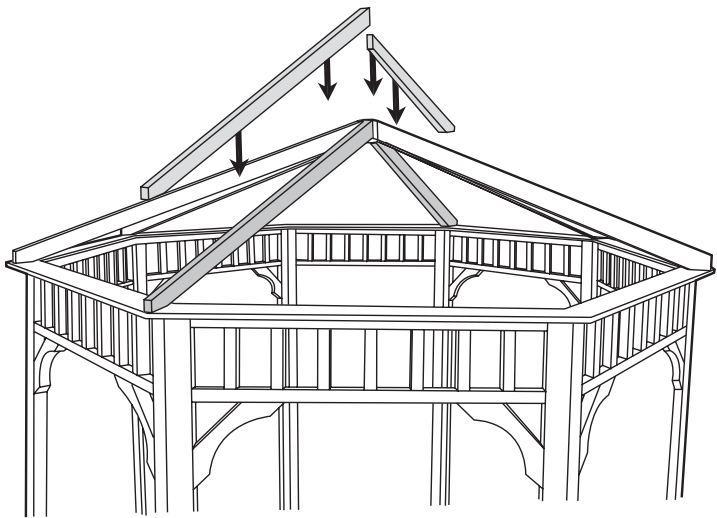
NOTE: Adjust Wall corners in or out to fit.

4

ASSEMBLING AND ERECTING RAFTERS CONTINUED

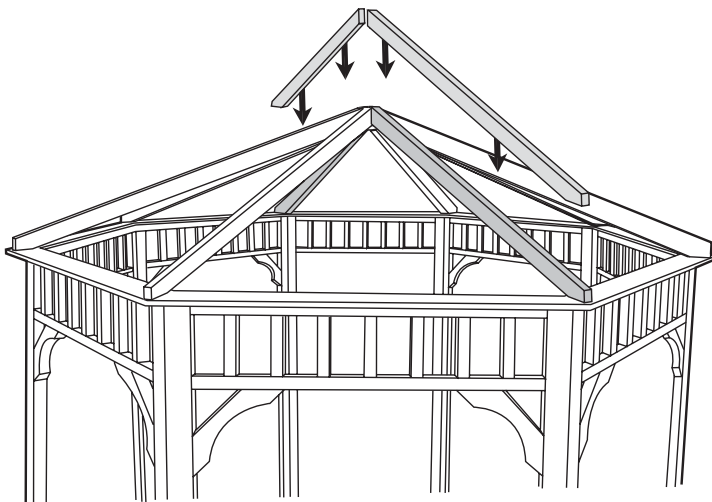


4-D



4-D:

Install remaining Rafters by inserting screws through Gusset Bracket, as shown in **4-C Fig. 2**, while holding Rafter in position. Install 3" screw through top of Rafter or Ridge Block as shown in **4-A or 4-B top view**. Once all Rafters are in place, install 3" screws in underside of Ridge Block into Rafters as shown in **4-A or 4-B bottom view**.

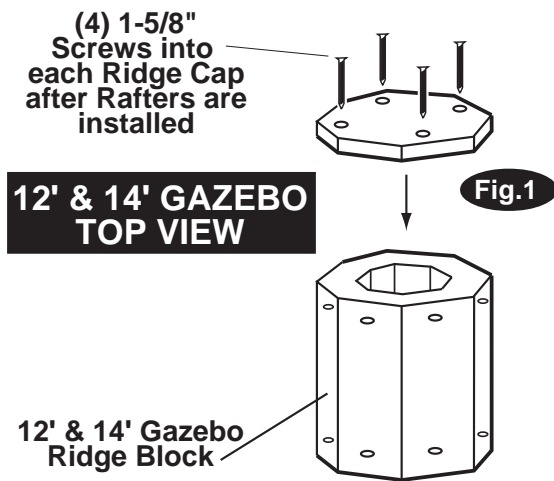


4

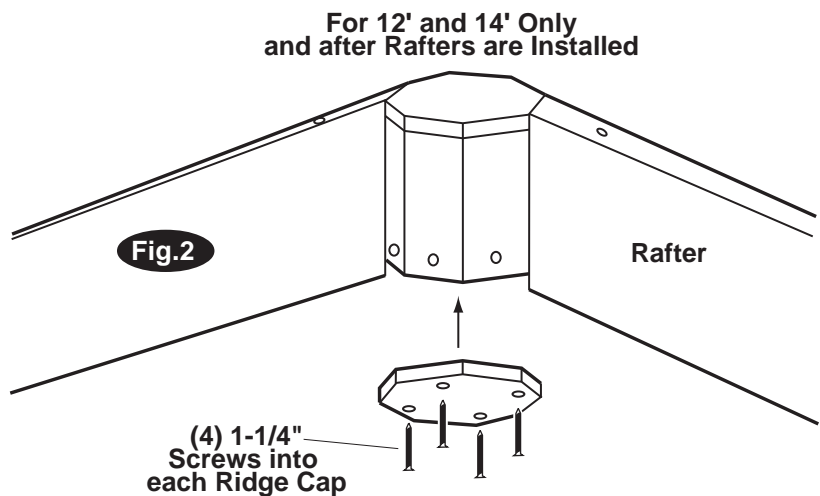
ASSEMBLING AND ERECTING RAFTERS CONTINUED FOR 12' AND 14' ONLY

4-E: For 12' and 14' Gazebo Only

For 12' and 14' Gazebos, attach Ridge Cap to top of Ridge Block with four 1-5/8" screws as in Fig.1.



For 12' and 14' Gazebos, install bottom Ridge Cap cover with (4) 1-5/8" Screws and shown in Fig.2.



5

ANCHORING GAZEBO

PARTS LIST 10' GAZEBO

- 1 pc. Assembled Side Wall and Rafters
- 8 pcs. Metal "L" Brackets and Screws (Not included in Kit)

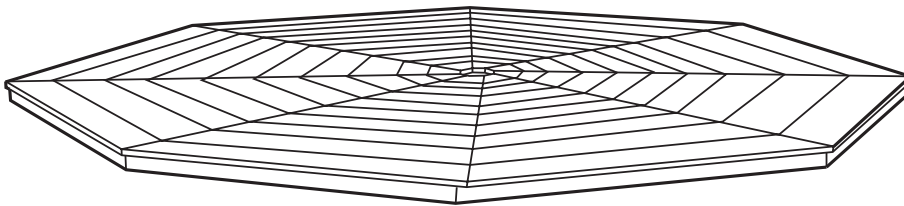
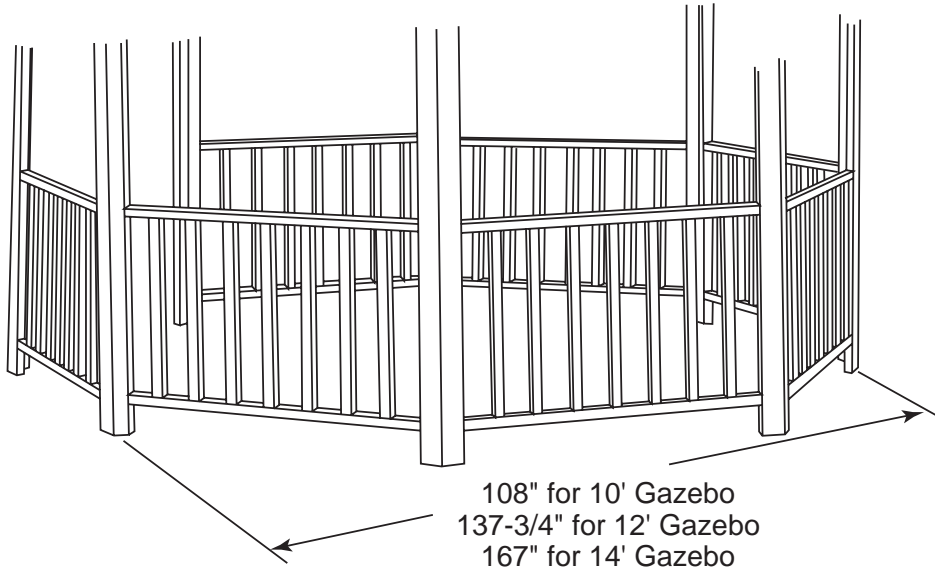
PARTS LIST 12' GAZEBO

- 1 pc. Assembled Side Wall and Rafters
- 10 pcs. Metal "L" Brackets and Screws (Not included in Kit)

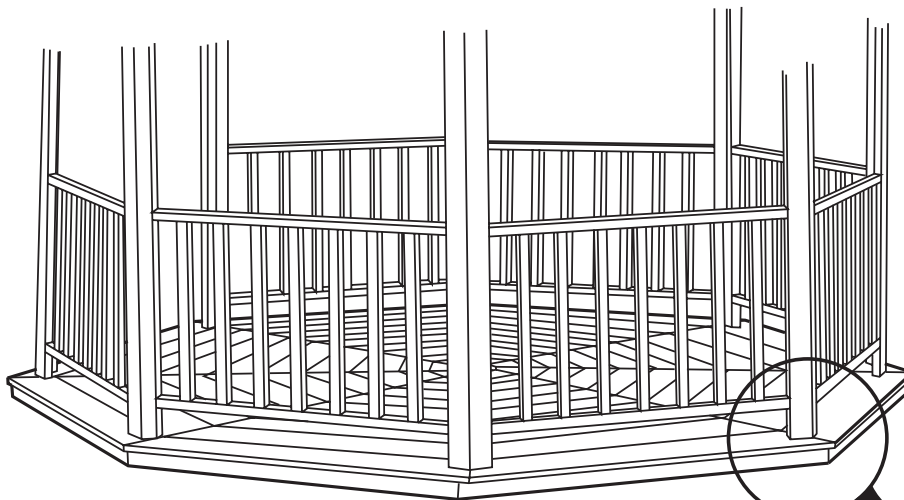
PARTS LIST 14' GAZEBO

- 1 pc. Assembled Side Wall and Rafters
- 12 pcs. Metal "L" Brackets and Screws (Not included in Kit)

5-A



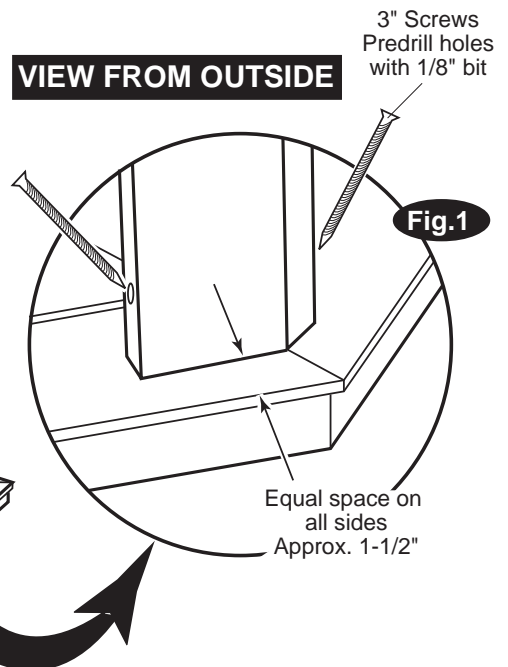
WOOD FLOOR OR DECK
10' Floor shown



5-A: ANCHORING ON WOOD FLOOR OR WOOD DECK

Anchor to wood floor by predrilling holes and installing two 3" screws at an angle through corner post into wood floor as shown in **Fig. 1**. There should be equal distance between outside of Gazebo and outside edge of floor all around Gazebo as shown in **Fig. 1**.

10', 12' and 14' Gazebos are anchored in the same manner.



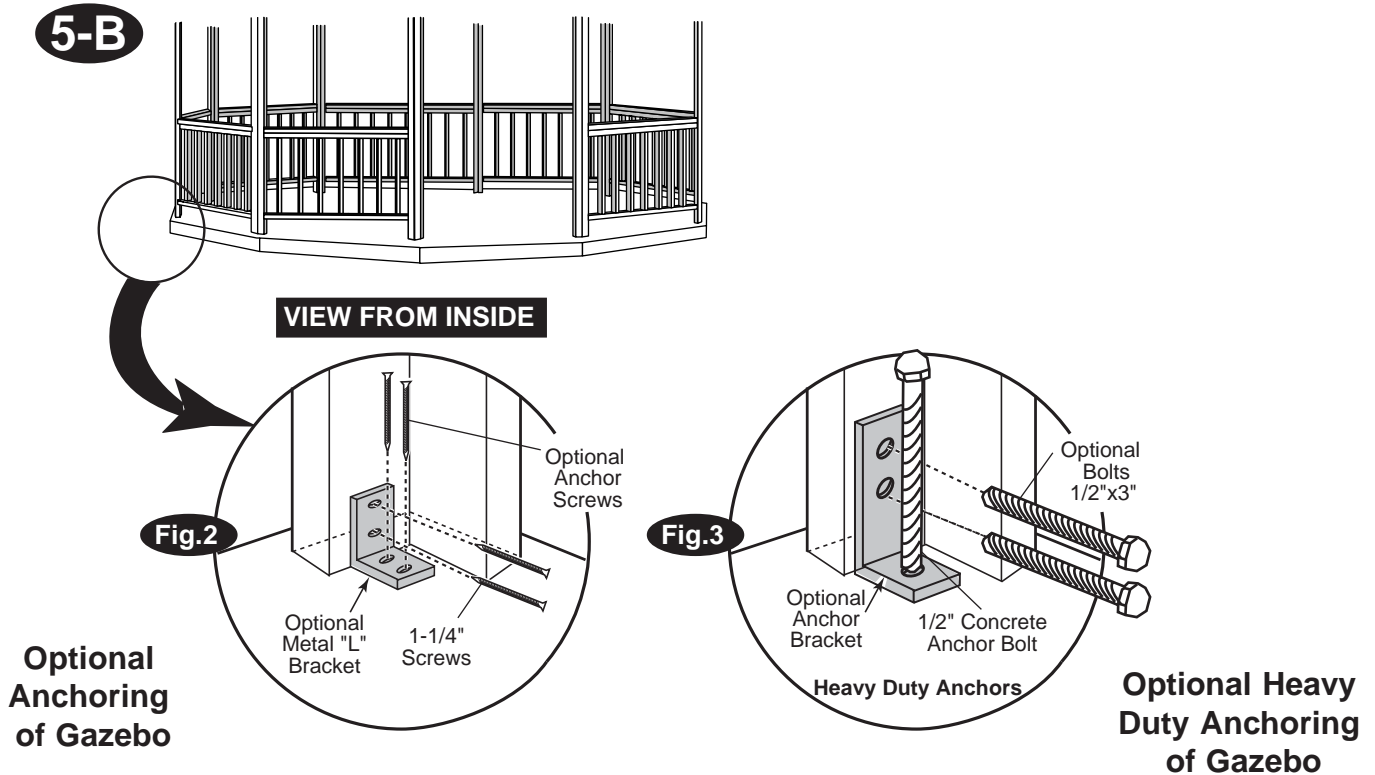
5

ANCHORING GAZEBO CONTINUED

PARTS LIST

- Assembled Side Wall and Rafters
- Anchor or Brackets and Screws (Not included in Kit)

Check with our local Building Code Department for any variances.



5-B:

OPTIONAL ANCHORING

Install a 2" 90 degree metal angle bracket (available at most Home Centers and hardware stores) inside each corner post, using a cement anchor, and affixing it to the base with 1-1/4" screws into the post as shown in **Fig. 2**.

Local building departments require some sort of anchoring system to meet wind requirements. We recommend Simpson HD2A (available at most Home Centers and hardware stores) or similar for an anchor as shown in **Fig. 3**. You will also need (2) 1/2"x3" bolts (not included) with a rating of 500 lbs. of tension or greater each bolt, (2) washers and nuts also for the wall to anchor connection. Also you will need a Simpson 1/2" or 5/8" Wedge-All anchor, Titen Hd or similar (available at most Home Centers and hardware stores) for the anchor to concrete connection. If you have a wood floor you would need a 12" long Wedge-All and a 6" long for a Concrete slab. Anchors need to be imbedded at least 4-1/2" into concrete.

6

INSTALLING ROOF PANELS FOR 10' & 12' GAZEBO

* For 14' Models, continue with page 15.

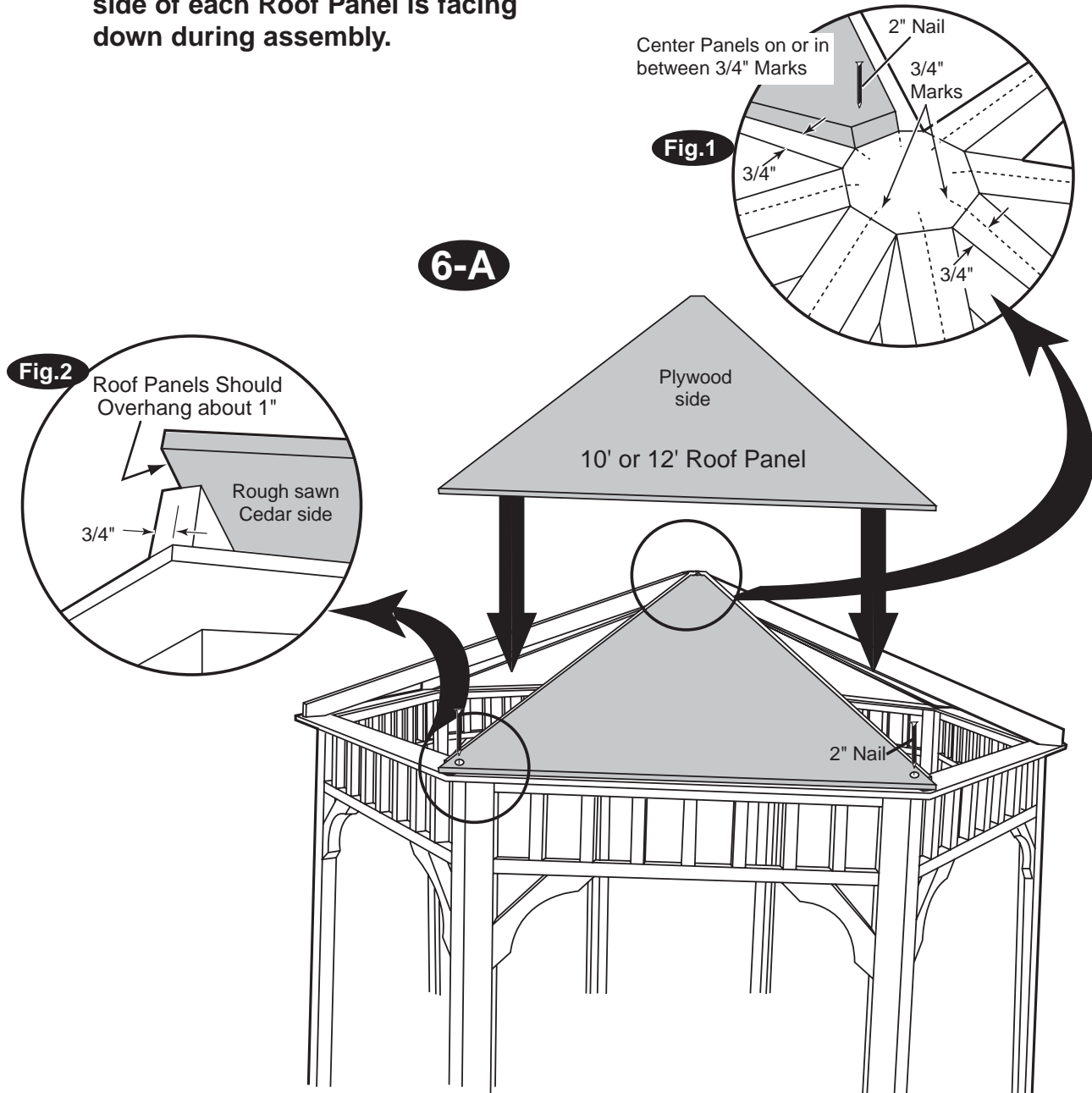
PARTS LIST 10' GAZEBO

□ 8 pcs. Plywood Triangular Roof Panels

PARTS LIST 12' GAZEBO

□ 10 pcs. Plywood Triangular Roof Panels

NOTE: Make certain the rough cedar sawn side of each Roof Panel is facing down during assembly.



6-A:

When installing the Roof Panels, the rough sawn cedar side should be facing to the inside of your Gazebo. Along each Rafter, place a mark 3/4" in on each Rafter to help center Roof Panels as shown in **Fig. 1** and **Fig. 2**. Set first Roof Panel in place on top of Rafters, making top of Roof Panels line up where Rafter and Ridge Block meet and nail with one 2" nail at the top of Roof Panel. Once top is nailed, make sure Roof Panel at bottom is centered between 3/4" marks on both Rafters. Once Roof panel is aligned nail with two 2" nails at bottom corners. For 10' and 12', continue on page 16.

6

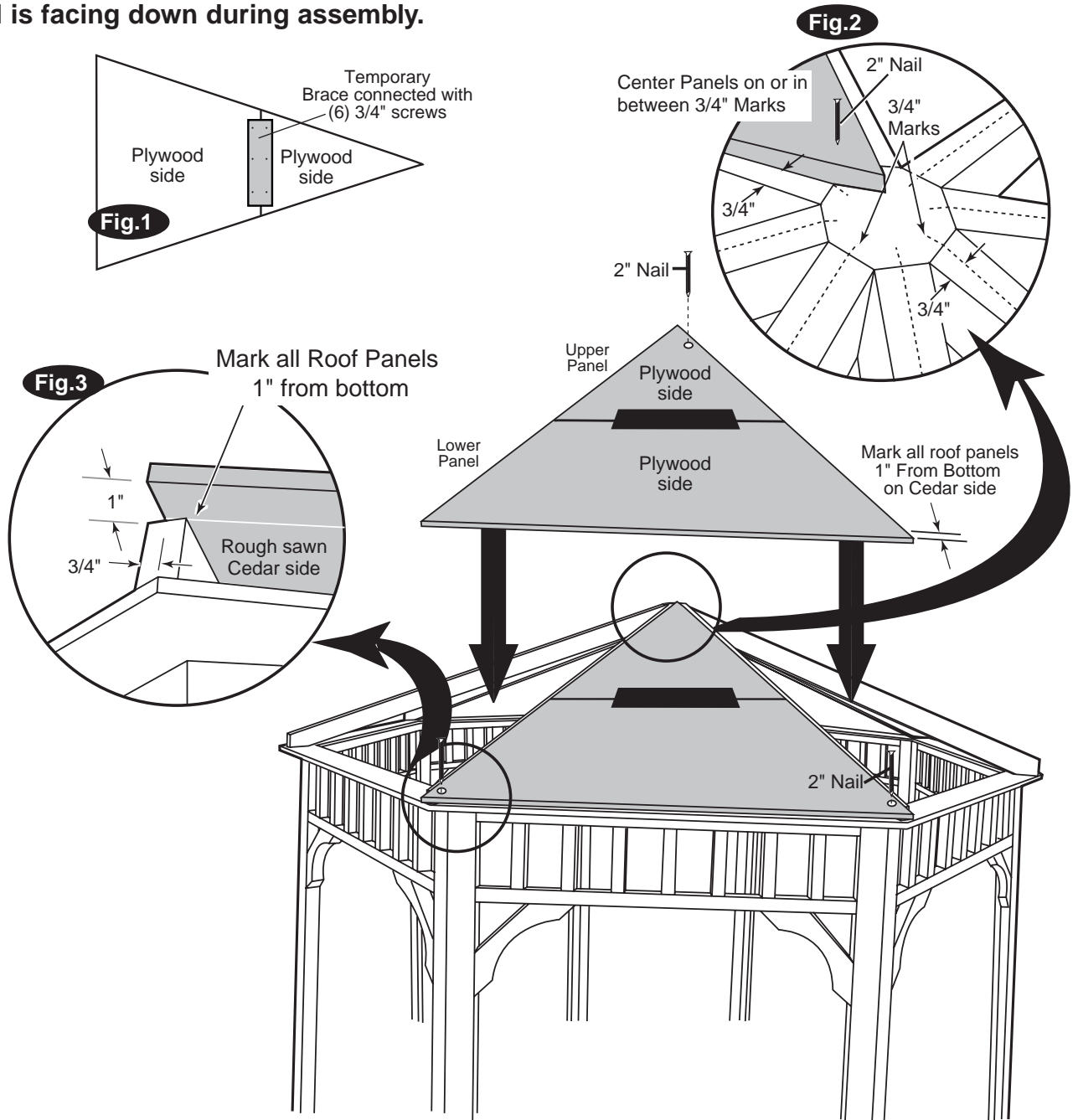
INSTALLING ROOF PANELS FOR 14' GAZEBO ONLY

PARTS LIST 14' GAZEBO

- 12 pcs. Plywood Triangular Roof Panels Small
- 12 pcs. Plywood Triangular Roof Panels Large
- 12 pcs. Temporary Brace 6"x14"

NOTE: Make certain the rough sawn cedar side of each Roof Panel is facing down during assembly.

6-A



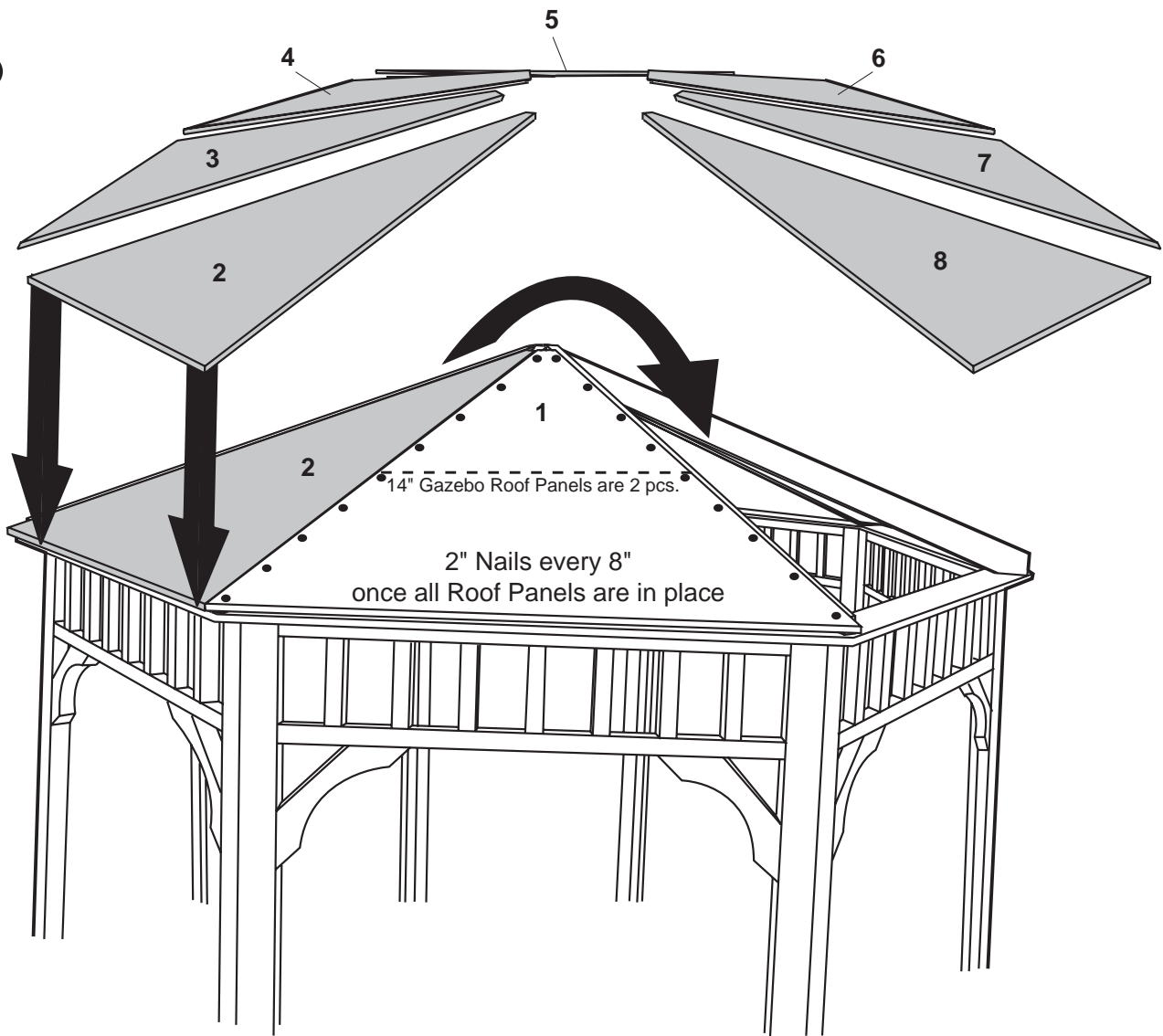
6-A:

Place roof panel pieces as shown in **Fig. 1** with Plywood side up. Place 6x14" temporary brace between to pieces and attach with (6) 3/4" screws. When installing the Roof Panels, the rough sawn cedar side should be facing to the inside of your Gazebo. Along each Rafter, place a mark 3/4" in on each Rafter to help center Roof Panels as shown in **Fig. 2** and **Fig. 3**. Next mark, on cedar side, all Roof Panels 1" from bottom as shown. Set first Roof Panel in place on top of Rafters, making Bottom 1" mark of Roof Panels line at Rafter ends and nail with one 2" nail at each corner of Roof Panel. Once bottom is nailed, make sure Roof Panel at top is centered between 3/4" marks on both Rafters. Once Roof panel is aligned nail with one 2" nail at top corner.

6

INSTALLING ROOF PANELS CONTINUED

6-B



6-B:

Follow the same steps as in **6-A** to install all remaining Roof Panels, **only temporarily nailing in place**. Once all Roof Panels are in place and fit properly on your Gazebo, then nail every 8" with 2" nails. 10' model has eight Roof Panels, 12' model has ten Roof Panels and 14' has 12 Roof Panels. **For 14' Gazebo models, remove temporary brace when all roof panels are in place and secured with 2" nails every 8"**.

7

INSTALLING FASCIA

PARTS LIST 10' GAZEBO

- 8 pcs. Fascia 5/8" x 3-1/2" x 46-7/8" Plywood
- 8 pcs. Fascia Trim 3/8" x 1-1/2" x 3-3/4"

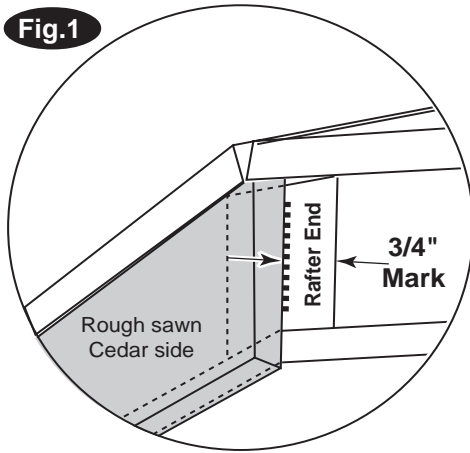
PARTS LIST 14' GAZEBO

- 12 pcs. Fascia 5/8" x 3-1/2" x 46" Plywood
- 12 pcs. Fascia Trim 3/8" x 1-1/2" x 3-3/4"

PARTS LIST 12' GAZEBO

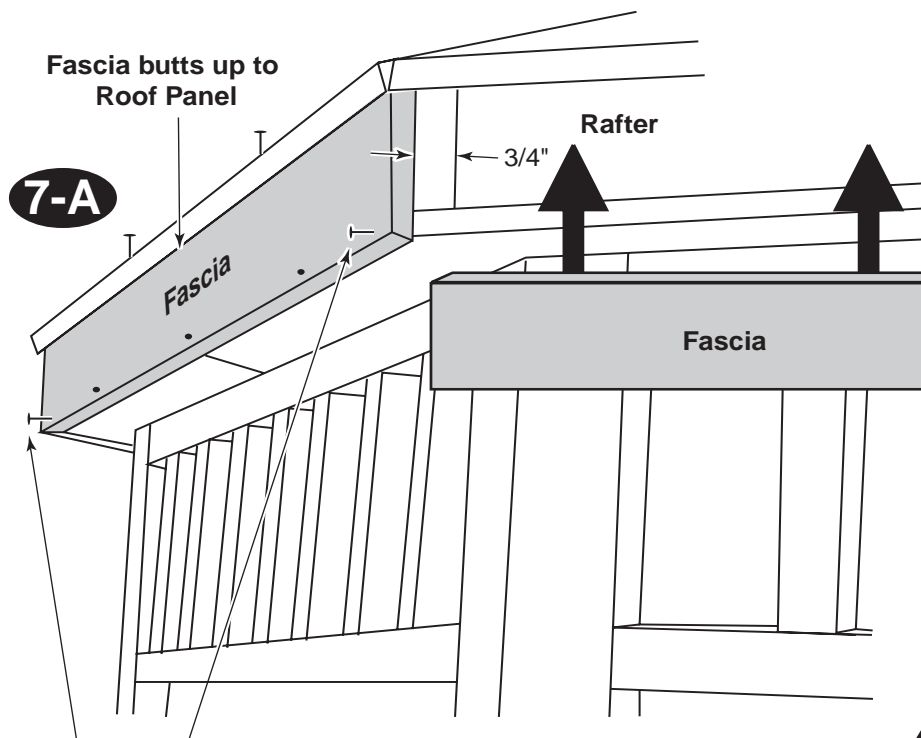
- 10 pcs. Fascia 5/8" x 3-1/2" x 46-3/8" Plywood
- 10 pcs. Fascia Trim 3/8" x 1-1/2" x 3-3/4"

Fig.1



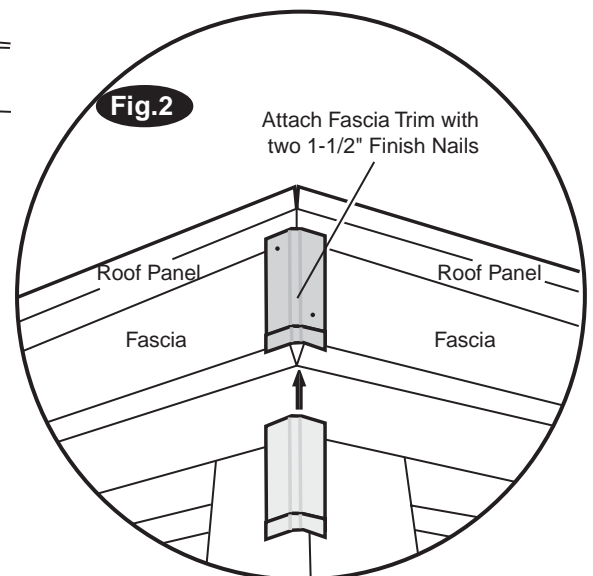
7-A:

Place a mark 3/4" in on end of Rafter as shown in **Fig. 1**. Center Fascia on Wall Panels in between corners and 3/4" marks and butt Fascia to bottom of Roof Panels. **Tack on the Fascia to the Gusset Brackets at each corner with one 1-1/2" Finish Nails.** Continue attaching remaining seven pieces of Fascia for 10' Gazebos, nine pieces for 12' Gazebos and eleven pieces for 14' Gazebos. Once all Fascia are in place, finish nailing along bottom edge and top of Roof Panel with five more 1-1/2" Finish Nails. 10', 12' and 14' Gazebo Fascia are installed in the same manner. Attach Fascia Trim over seam where two Fascia panel pieces meet and attach with two 1-1/2" Finish nails through Fascia Trim into Fascia Panel as shown in **Fig. 2**. Pre-drilling is recommended.



Two-1-1/2" Finish Nails to hold all Fascia in place then, once all Fascia in place, add five more 1-1/2" Finish Nails.

Fig.2



Note: If installing a Screen Kit, skip Step 8 and refer to Screen Kit instruction manual before going to Step 9.

8

INSTALLING SILL PLATE

PARTS LIST 10' GAZEBO

□ 7 pcs. Sill Plates 2 x 4 x 40-1/4"

PARTS LIST 12' GAZEBO

□ 9 pcs. Sill Plates 2 x 4 x 40-1/4"

□ 18 pcs. Corbels 2 x 4 x 14"

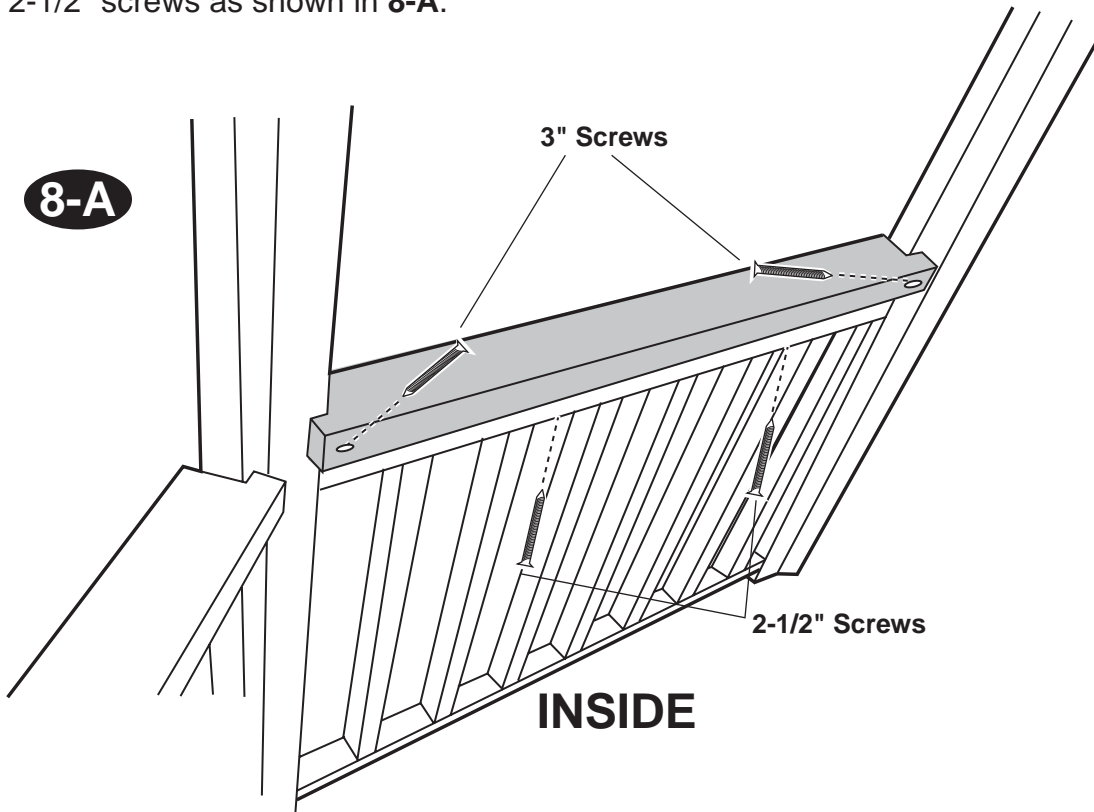
PARTS LIST 14' GAZEBO

□ 11 pcs. Sill Plates 2 x 4 x 40-1/4"

□ 22 pcs. Corbels 2 x 4 x 14"

8-A:

Install Window Sill Plates with ears projecting to the inside of the Gazebo. Attach with (2) 3" screws and (2) 2-1/2" screws as shown in 8-A.

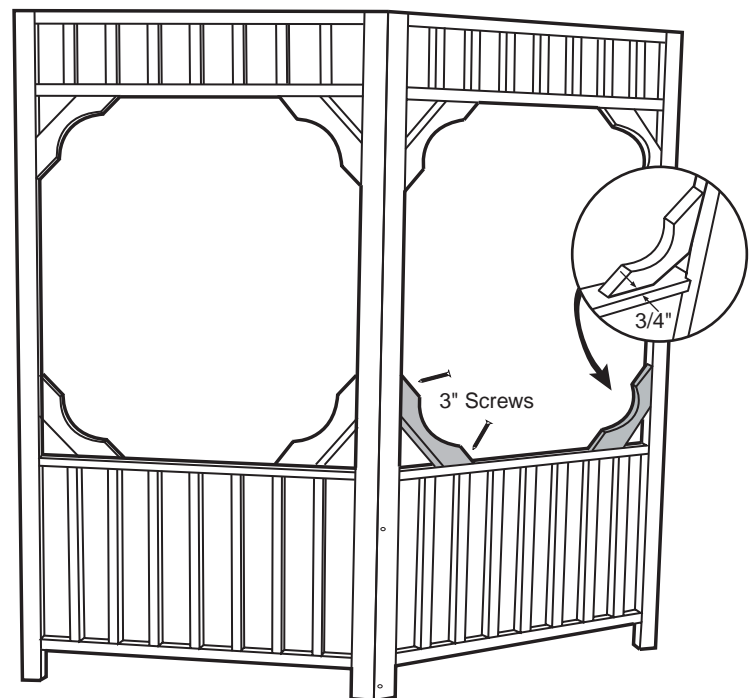


9

12' & 14' GAZEBO ONLY, INSTALLING CORBELS

9-A: Lower Corbels are positioned and attached to wall post and sill as shown. Position 3/4" back from Outside Edge of Sill Plate. Secure with 3" screws.

Note: If installing sill from optional Screen Kit, Lower Corbels will be flush to outside edge of Sill Plate.

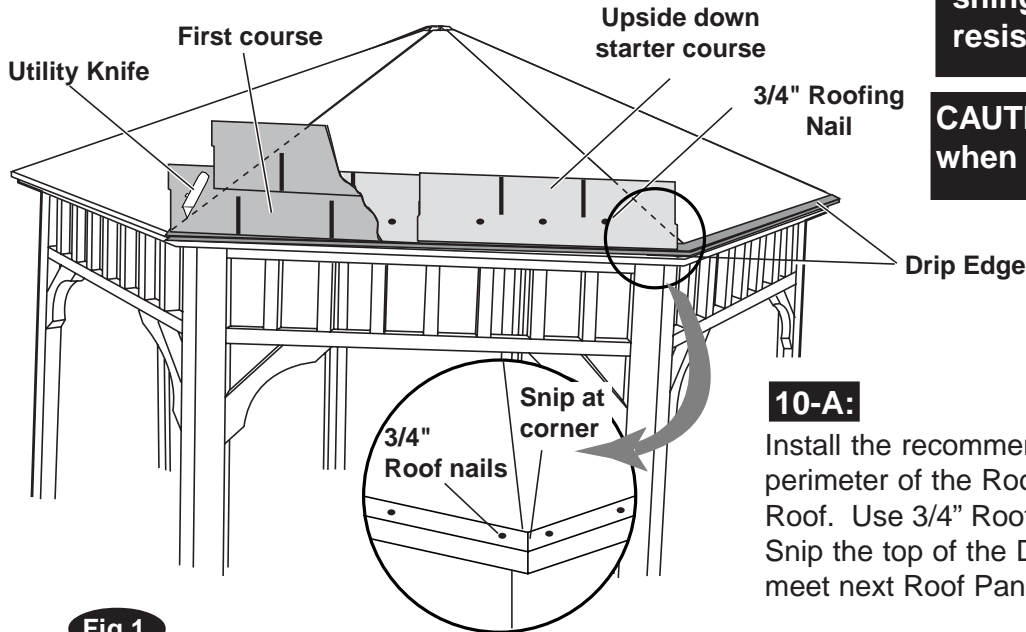


10 INSTALLING DRIP EDGE, SHINGLES, METAL CAP AND SPINDLE

- 5 Bundles
- 7 Bundles
- 9 Bundles
- 40 feet
- 50 feet
- 1 Pc.
- 1 Pc.

- Shingles (not included) for 10'
- Shingles (not included) for 12'
- Shingles (not included) for 14'
- Drip Edge (not included) for 10'
- Drip Edge (not included) for 12' and 14'
- Metal Roof Cap
- Roof Finial

10-A



Caulking the Roof Seams before shingling will improve the water resistance of your Gazebo.

CAUTION: Use 3/4" Roofing Nails when installing layers of shingles

10-A:

Install the recommended Drip Edge around the perimeter of the Roof Panels before shingling the Roof. Use 3/4" Roofing Nails to install Drip Edge. Snip the top of the Drip Edge at corners and bend to meet next Roof Panel.

Install a starter course of Shingles consisting of a row of Shingles turned upside down. Attach with 3/4" Roofing Nails that are supplied with kit. After starter course is completed, cut excess shingles off along seam of Roof Panels with Utility Knife as shown in **10-A**. Next, place first course of shingles directly over starter course in normal position and nail with 3/4" roof nails. Cut excess material off in the same manner as starter course. Continue up Roof Panel, overlapping Shingles as you go and cutting off excess.

To create Ridge Caps, take a shingle and cut it into six equal pieces as shown in **Fig. 1**. Cut about 1/3 of Shingle at top on an angle as shown in **Fig. 2**. Install Ridge Caps (**Fig. 3**) over seams where the excess Shingle material was cut off, making sure to cover each of the angled cut ends of the Ridge Cap. Attach each Ridge Cap with two 1" roof nails supplied with kit (**Fig. 4**).

Place Metal Roof Cap on top of shingled Gazebo and install Finial through hole in cap and screw down snugly (**Fig. 5**).

Note: if you have purchased the second tier option, continue to shingle the complete roof as the metal roof cap and finial will be needed for the second tier.

Fig.1

Making Ridge Cap

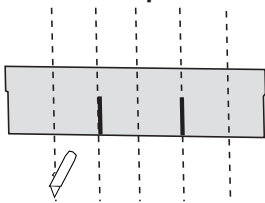


Fig.2

Cutting angle on Ridge Cap



Fig.3

Ridge Cap



1" Roofing Nail on Ridge Cap

Installing Ridge Cap

Fig.4

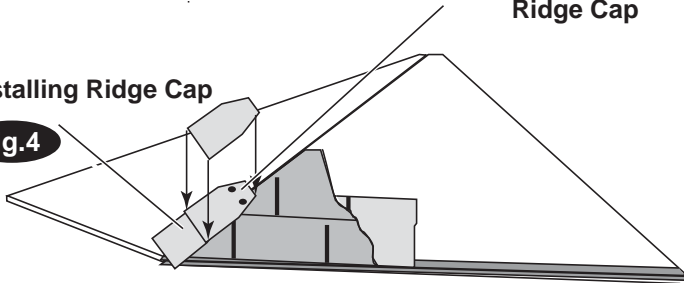
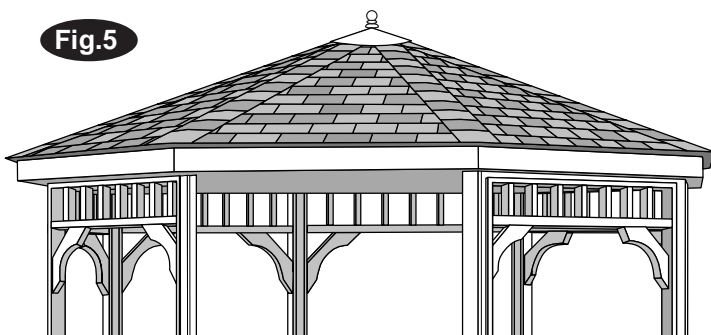


Fig.5





It's Easy...It's Handy

Limited Conditional Warranty *

WARRANTY

Handy Home Products warrants the following:

1. Every product is warranted from defects in workmanship and manufacturing for one year.
2. All hardware and metal components are warranted for two years.
3. Trim is warranted for 10 years.
4. Waferboard siding and sheathing is warranted for two years.
5. SmartSide™ siding is warranted for 10 years on all Marco series buildings and 15 years on all Premier Series buildings.
6. Mackinaw series buildings' siding and trim are warranted for 10 years.
7. Phoenix Solar Shed windows are warranted for 1 year.
8. Cedar lumber is warranted for 15 years.

Handy Home Products will repair, replace or pay for the affected part. In no event shall Handy Home Products pay the cost of labor or installation or any other costs related thereto. All warranties are from date of purchase. If a cash refund is paid on an affected part, it will be prorated from the date of purchase.

CONDITIONS

The warranty is effective only when:

1. The unit has been erected in accordance with the assembly instructions.
2. The unit has been properly shingled and painted or stained and reasonably and regularly maintained thereafter.
3. The failure occurs when the unit is owned by the original purchaser.
4. Handy Home Products has received the warranty registration card within thirty (30) days of purchase and notification of the failure in writing within the warranty period specified above.
5. Handy Home Products has had reasonable opportunity during the sixty (60) days following receipt of notification to inspect and verify the failure prior to commencement of any repair work.

REQUIREMENTS

Storage Buildings & Playhouses

To validate your warranty, it is necessary to properly maintain your Handy Home Products unit; shingle the roof and paint or solid-colored stain the siding using 100% acrylic latex exterior product with a minimum of two (2) coats within thirty (30) days of assembly; caulk above all doors and all horizontal and vertical trim boards; paint and seal all exposed edges, sides and faces of SmartSide™ and waferboard siding to include all exterior walls and all sides and all edges of doors.

Gazebos & Timber Buildings

To validate your warranty, it is necessary to properly maintain your Handy Home Products unit. This includes treating all of the exposed cedar and pine surfaces on your gazebo or timber building with an exterior grade wood preservative, an exterior oil-based semi-transparent stain, an acrylic latex exterior paint or an acrylic latex solid color exterior stain within 30 days of assembly and as needed thereafter to maintain your warranty.

Keep vegetation trimmed away from building and make sure siding panels and trim do not come in contact with masonry or cement. The minimum ground clearance for siding must be one half inch (1/2 inch) from concrete slab or two and one half inches (2 1/2") from the ground when building is erected or constructed on a treated wood floor kit. Water from sprinklers must be kept off unit. In no event will Handy Home Products be responsible for any indirect, incidental, consequential or special damages nor for failure(s) that are caused by events, acts or omissions beyond our control including, but not limited to, misuse or improper assembly, improper maintenance (which eventually leads to rot or decay) and acts of God. Handy Home Products will not be held responsible for any labor costs incurred to construct your unit. This warranty gives you certain specific rights that vary from state to state.

CLAIM PROCEDURE

To make a claim under this warranty, you can either call (800) 437-0784 or prepare a letter. Please have ready the information below when you call or include the information when writing:

1. The model and size of the product.
2. A list of the part(s) for which the claim is made.
3. Proof of purchase of the Handy Home Products' item, as shown on the original invoice.
4. Run code, as listed on the yellow warranty card enclosed in the product package.

Mail the above information to:

Handy Home Products
Attn: Customer Service
1000 Ternes Drive
Monroe, MI 48162

***WARRANTY TERMS MAY VARY OUTSIDE THE U.S.A.**

IMPORTANT: This is your warranty certificate.

Please complete and mail your warranty card to properly validate your warranty.