

# Gazebo Cupola 10', 12' and 14' Models

#16683

## -BEFORE YOU BEGIN-

### ■ First...

Read these instructions thoroughly before you begin assembly. Assembly is easiest if you follow the steps in the order shown.

### ■ Check all parts

Compare the parts you have to the list. If a part is missing, circle the part in question and call our toll-free # at (800) 437-0784.

### ■ Staining...

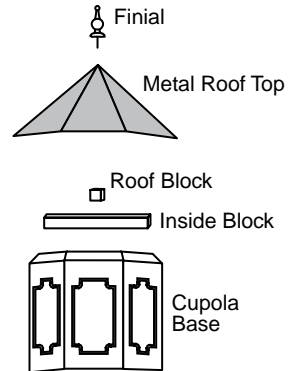
This Cupola is constructed of a long-lasting western cedar. Untreated cedar exposed to sunlight will eventually weather to a silver-grey color. Applying Stain or Sealers per manufacturers instructions WITHIN 30 DAYS will improve the water resistance of your Cupola. Some sanding to remove rough edges and natural wood stains may be required prior to staining.

### ■ Tools Required

- Phillips Screwdriver or #2 Phillips Tip
- Level
- Pencil
- Electric Drill
- 1/8" Drill Bit for Pre-drilling

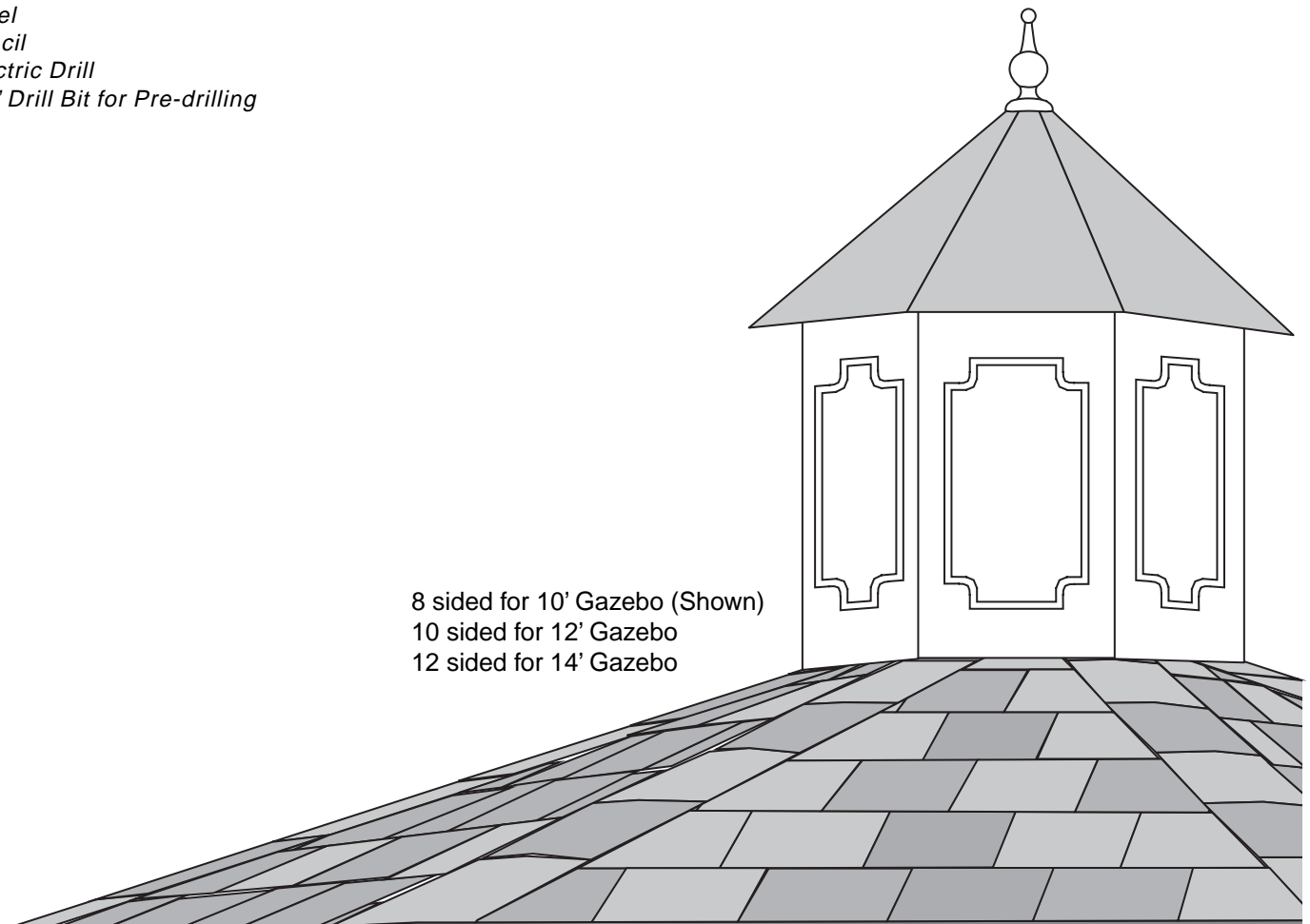
### ■ Parts

- Cupola Base Assembly
- Metal Roof Top
- Inside Block
- Roof Block
  - 8 sided 2x4x1-3/4"
  - 10 sided 2x4x 3-3/16"
  - 12 sided 2x4x4"
- Finial
- Hardware
- 10 - #8 2-1/2" Screws

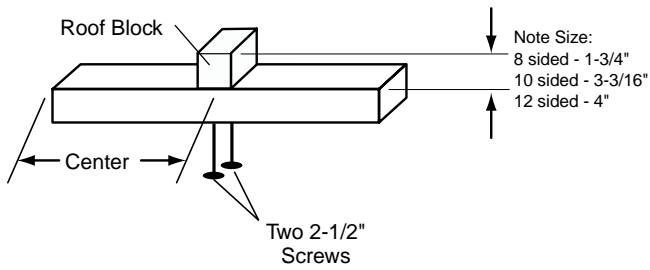


**Always wear OSHA-APPROVED safety glasses throughout the assembly process**

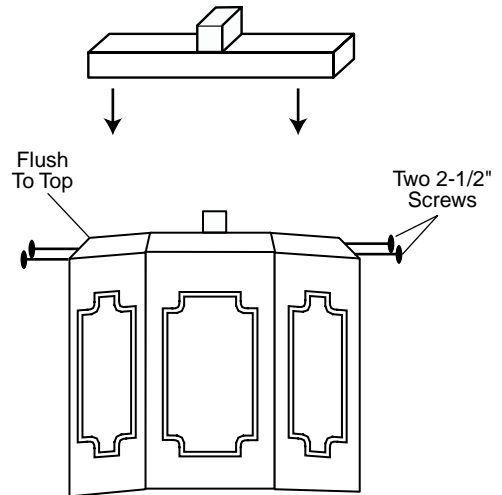
8 sided for 10' Gazebo (Shown)  
10 sided for 12' Gazebo  
12 sided for 14' Gazebo



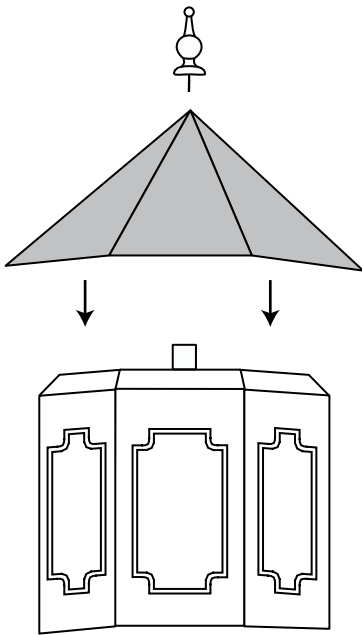
**A:** Center Roof Block on base inside block and attach with two 2-1/2" Screws.



**B:** Attach Block Assembly flush to the top of the Base with two 2-1/2" screws per side.



**C:** Place Metal Roof Top over Cupola and align to match cupola base. Screw Finial on top through roof and tighten.



**D:** Center Cupola on roof, aligning Cupola corners with roof seams of gazebo roof and level. Pre-drill at a slight angle and anchor Cupola using (4) 2-1/2" screws into lower rafter.

