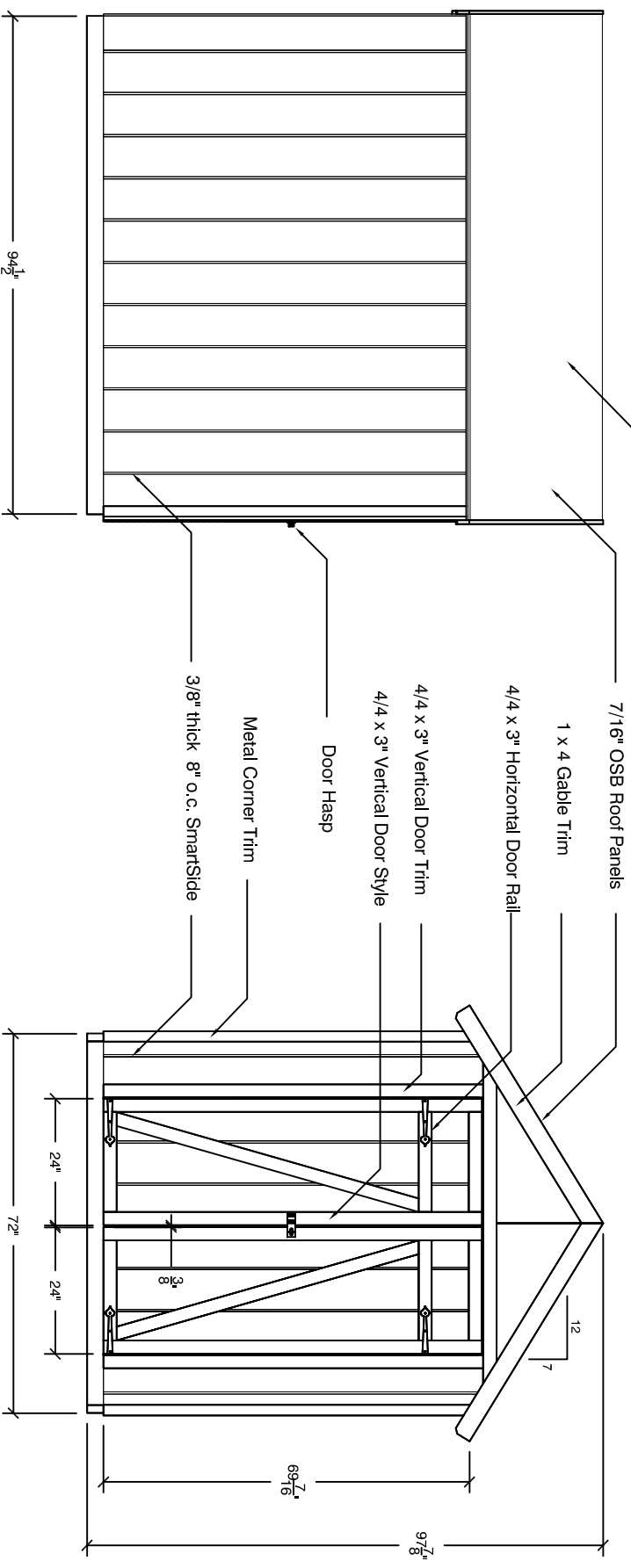


FIBERGLASS SHINGLES
 SECURE SHINGLES TO ROOF
 DECKING w/ (4) 1-1/4" ROOFING NAILS
 *** NOT INCLUDED WITH KIT ***



A
EAVE ELEVATION

SCALE: 3/8" = 1'-0"

B
GABLE ELEVATION

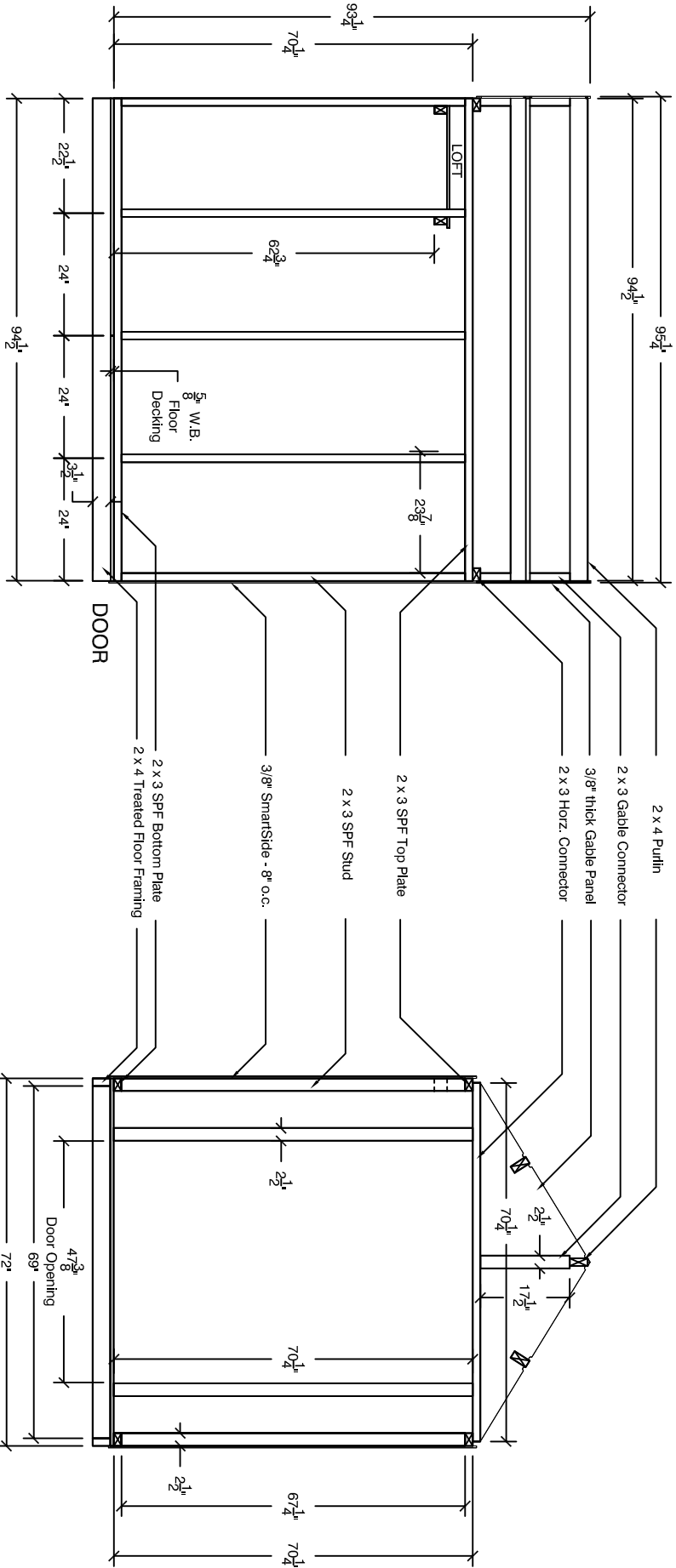
SCALE: 3/8" = 1'-0"

BACKYARD
 PRODUCTS, LLC.

6' x 8' GARDEN SHED
ELEVATIONS

SIZE: 6' x 8' ADDRESS: 10000 Terrell Drive Monroe, MI 48182	5000 sq. ft. Scott Benfield	DATE DRAWN: May 10, 2010	SHEET: 1 OF 6
---	--------------------------------	-----------------------------	---------------

SCALE: As Noted (800) 221-1899



A
2

LEFT SIDE FRAMING

SCALE: 3/8" = 1'-0"

B
2

FRONT FRAMING

SCALE: 3/8" = 1'-0"

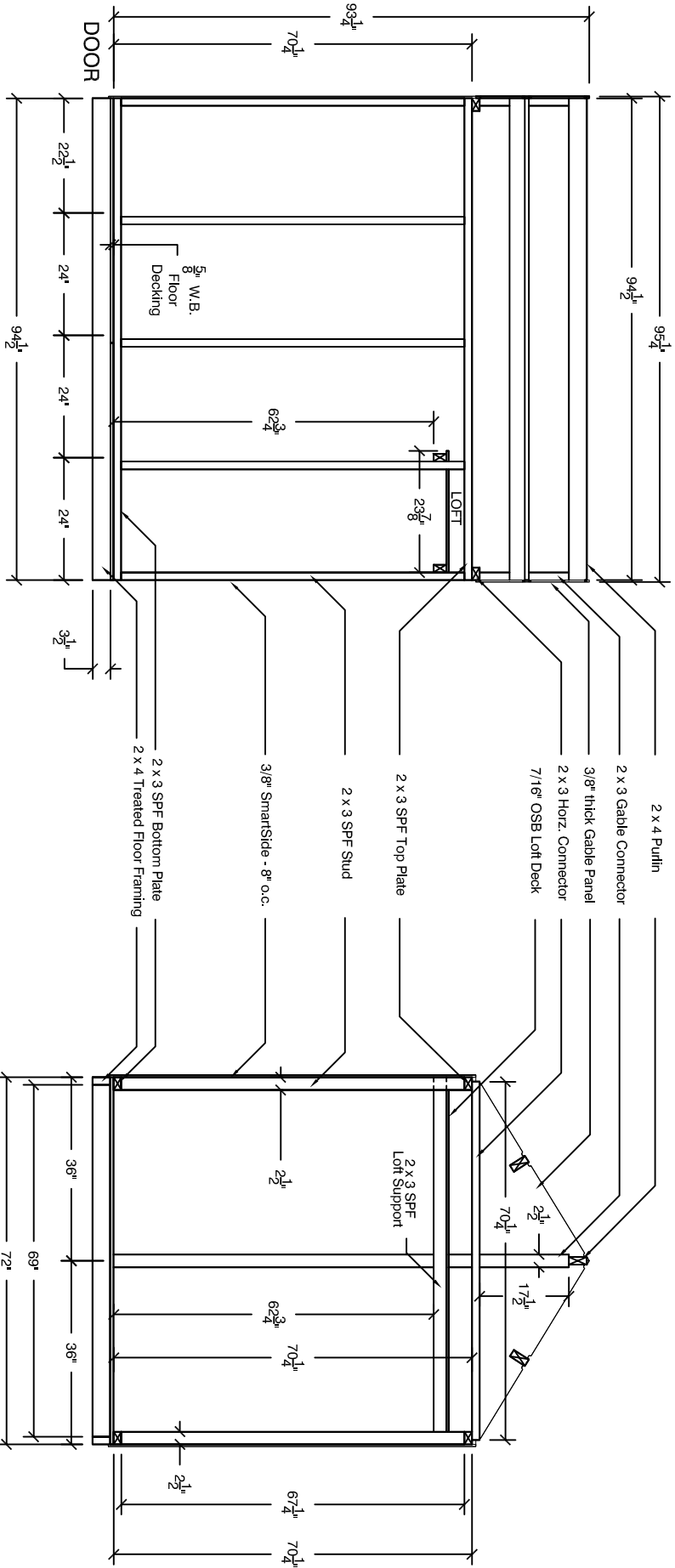
BACKYARD
PRODUCTS, LLC.

6' x 8' GARDEN SHED

FRONT/SIDE WALL FRAMING

SHEET: A SCALE: As Noted	ADDRESS: 1000 Terrell Drive Monroe, MI 48182	DRAWN BY: Scott Benfield	DATE DRAWN: May 10, 2010
-----------------------------	--	-----------------------------	-----------------------------

SHEET: 2 of 6



A RIGHT SIDE FRAMING
SCALE: 3/8" = 1'-0"

B BACK FRAMING
SCALE: 3/8" = 1'-0"

BACKYARD PRODUCTS, LLC.

6' x 8' GARDEN SHED

BACK/SIDE WALL FRAMING

17000 Terrell Drive
Madison, MI 48182

5000 Bk.
Scott Benfield

DATE DRAWN: May 10, 2010

SCALE: As Noted

PROJECT: (800) 221-1899

SHEET: 3 of 6

HANDY HOME PRODUCTS

BACKYARD PRODUCTS, LLC.

17000 Terrell Drive
Madison, MI 48182

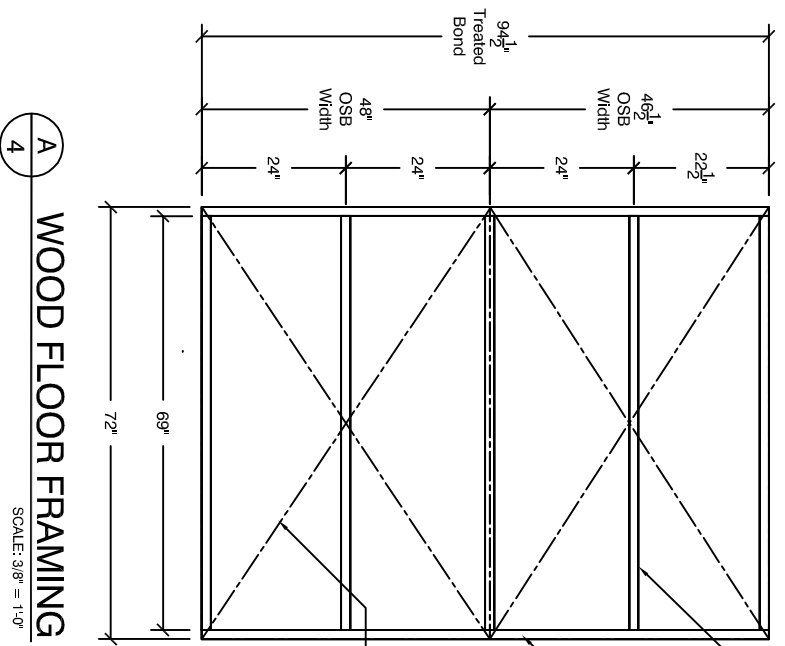
5000 Bk.
Scott Benfield

DATE DRAWN: May 10, 2010

SCALE: As Noted

PROJECT: (800) 221-1899

SHEET: 3 of 6



A
4
WOOD FLOOR FRAMING
SCALE: 3/8" = 1'-0"

P. I. JOISTS @ 24" O.C. (TYP)...
SECURE JOIST TO BOX SILL
W/2-10d NAILS @ EACH JOIST

P. I. BOND BOARD (TYP)...
SECURE BOND @ CORNERS
W/3-10d NAILS

5/8" OSB STANDARD
SECURE FLOOR DECKING
TO FLOOR JOIST W/16d NAILS

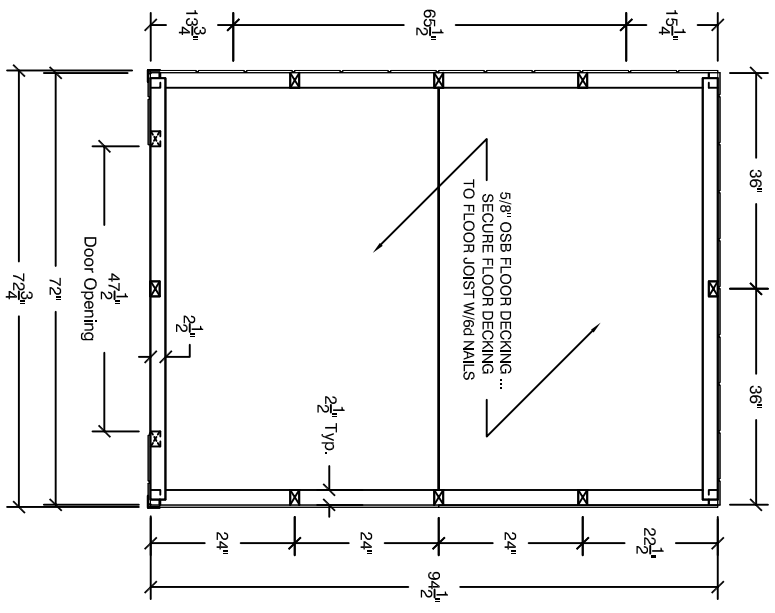
NOTES

1. WHEN CONCRETE SLAB IS USED, THIS FLOOR FRAMING IS NOT REQUIRED
2. ALL MATERIALS AND LABOR SHALL MEET OR EXCEED APPLICABLE LOCAL CODES.
3. ALL LUMBER TO BE NO. 2 GRADE SPRUCE PINE FIR OR EQUIVALENT.
4. THIS FLOOR FRAMING PLAN IS FOR THE BACKYARD PRODUCTS, LLC, 6' x 8' GARDEN SHED GABLE STYLE BUILDING
5. IN THE EVENT OF A DIMENSIONAL OR MATERIAL DISCREPANCY, NOTIFY BACKYARD PRODUCTS, LLC.

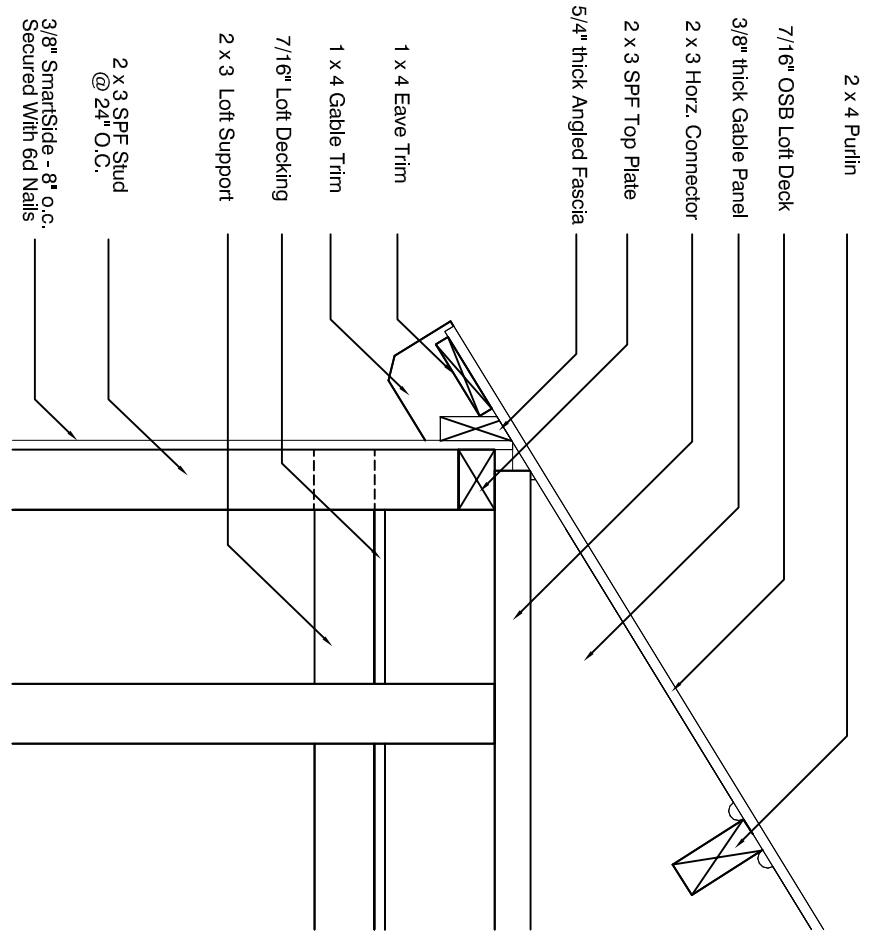


6' x 8' GARDEN SHED FLOOR FRAMING		DATE: 05/10/2010	USER: scott
REV: A	ADDRESS: 1000 Terrell Drive, Morrice, MI 48182	DATE: 05/10/2010	USER: scott
SCALE: As Noted	PHONE: (800) 271-1849	DATE: May 10, 2010	SHEET: 4 of 6


NOTE
 FIBERGLASS SHINGLES TO BE SECURED
 TO ROOF DECKING W/ 1/4" ROOF NAILS



A WALL FRAMING PLAN
 SCALE: 3/8" = 1'-0"



B WALL SECTION
 SCALE: 1-1/2" = 1'-0"

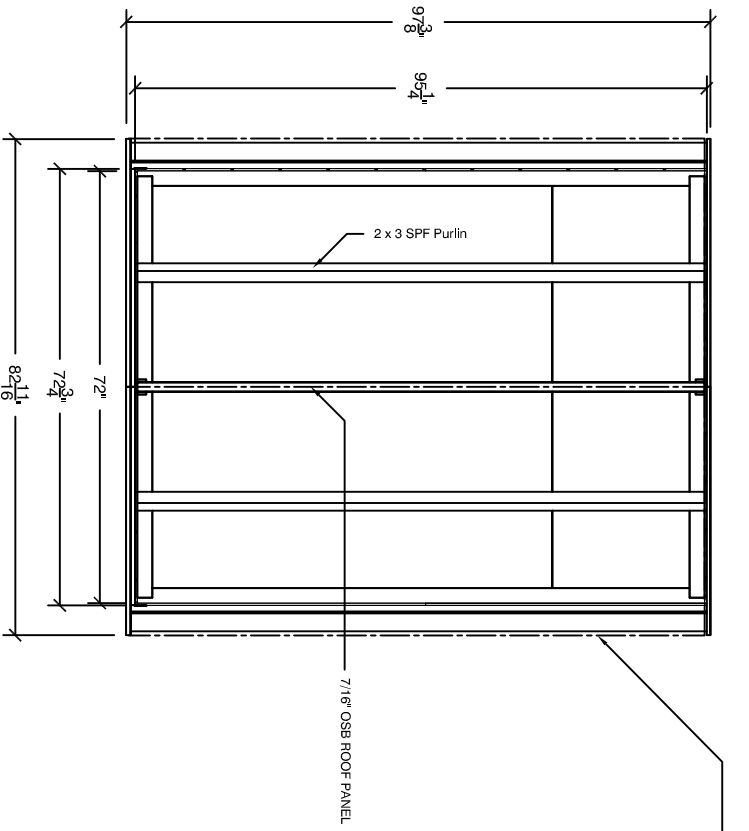


BACKYARD
PRODUCTS, LLC.

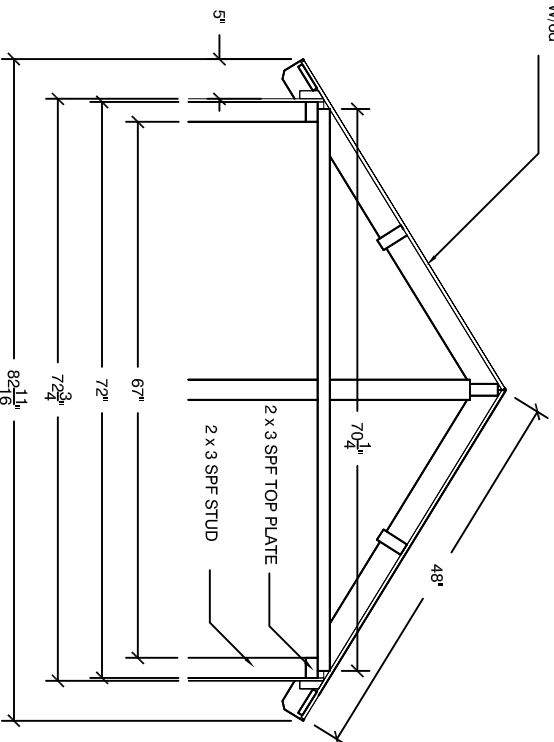
6' x 8' GARDEN SHED
WALL FRAMING DETAILS

REV	DESCRIPTION	DATE	DRAWN BY
A	1000 Terrace Drive Morroe, MI 48182	May 10, 2010	Scott Brethold
SCALE: As Noted		(800) 271-1849	SHEET 5 of 6

NOTE:
1. THIS ROOF PLAN IS GOOD FOR THE 6' x 8' GARDEN SHED ONLY. ALL MATERIAL AND LABOR SHALL MEET OR EXCEED APPLICABLE LOCAL CODES.



SECURE ROOF DECKING W/6d COMMON NAILS



A
6 ROOF FRAMING PLAN
SCALE: 3/8" = 1'-0"

B
6 ROOF SECTION
SCALE: 1/2" = 1'-0"

NOTES:

1. Approved Shingles installed per manufactures instructions with 4 nails per shingle
2. If using dripedge, it must overlap 2" and be nailed every 12" max.



6' x 8' GARDEN SHED ROOF DETAILS

1000 Terrace Drive
Morris, NJ 08852
Scott Benfield
May 10, 2010

DATE: 05/10/10
DRAWN BY: Scott Benfield
CHECKED BY: AS Noked
SHEET: 6 of 6